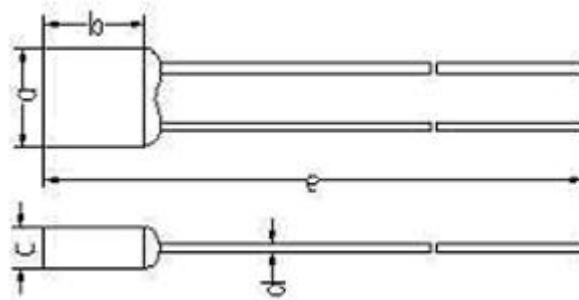


A-1A-F													
Model No	Rated functioning temp.	Fusing-off temperature	Holding temperature	Maximum temp. limit	Rated current	Rated voltage	Safety Approval						RoHS compliance
							UL	CUL	VDE	PSE	CCC	EK	
A1-1A-F	102°C	98±2°C	76°C	180°C	1A	250Vac	•	•	•	•	•	•	
A2-1A-F	115°C	112±3°C	85°C	180°C	1A	250Vac	•	•	•	•	•	•	
A3-1A-F	125°C	120±3°C	97°C	180°C	1A	250Vac	•	•	•	•	•	•	
A4-1A-F	130°C	126±2°C	102°C	180°C	1A	250Vac	•	•	•	•	•	•	
A5-1A-F	135°C	131±3°C	105°C	180°C	1A	250Vac	•	•	•	•	•	•	
A7-1A-F	138°C	135±2°C	108°C	180°C	1A	250Vac	•	•	•	•	•	•	
A8-1A-F	150°C	145±3°C	120°C	180°C	1A	250Vac	•	•	•	•	•	•	

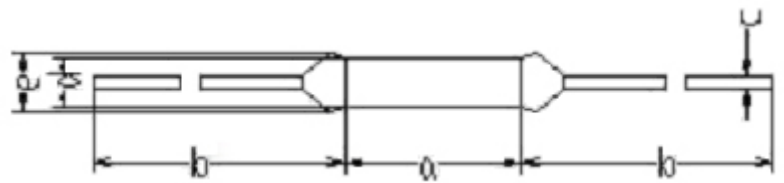


Size: (mm)		A-1A-F		
a	b	c	d	e
5.2±0.5	4.0±0.5	2.3±0.2	Φ0.54±0.05	70±3

Tf-Rated functioning temperature:	The temperature at which a Thermal Cutoff changes its state of conductivity to open circuit detection current. The tolerance according to IEC60691 is from +0 to -10degC. (With Japan Electrical Appliance and Material Law, on the other hand, they must function in the tolerance range of +/-7degC)
Fusing-off temperature:	The fusing-off temperature indicates value measured in silicon oil with a temperature increased by 0.5-1degC per minute and a detective current 100mA or less.
Th-Holding temperature:	The maximum temperature at which a Thermal Cutoff will not cause a change in state of conductivity to open circuit while conducting rated for 168 hours. This rating is required by safety standards based on IEC60691
Tm-Maximum temperature limit:	The maximum temperature at which a Thermal Cutoff can be maintained for 10 minutes without re-closing. This rating is required by safety standards based on IEC60691

I _r -Rated current:	The allowable maximum current which a Thermal Cutoff is able to carry.
U _r -Rated voltage:	The allowable maximum voltage which a Thermal Cutoff is able to be applied.

P-1A-F													
Model No.	Rated functioning temp.	Fusing-off temperature	Holding temperature	Maximum temp. limit	Rated current	Rated voltage	Safety Approval						RoHS compliance
							UL	CUL	VDE	PSE	CCC	EK	
P2-1A-F	115°C	112±3°C	85°C	180°C	1A	250Vac	●	●	●	●	●	●	●
P3-1A-F	125°C	120±3°C	97°C	180°C	1A	250Vac	●	●	●	●	●	●	●
P4-1A-F	130°C	126±2°C	102°C	180°C	1A	250Vac	●	●	●	●	●	●	●
P5-1A-F	135°C	131±3°C	105°C	180°C	1A	250Vac	●	●	●	●	●	●	●
P9-1A-F	138°C	135±2°C	108°C	180°C	1A	250Vac	●	●	●	●	●	●	●
P7-1A-F	150°C	145±3°C	120°C	180°C	1A	250Vac	●	●	●	●	●	●	●

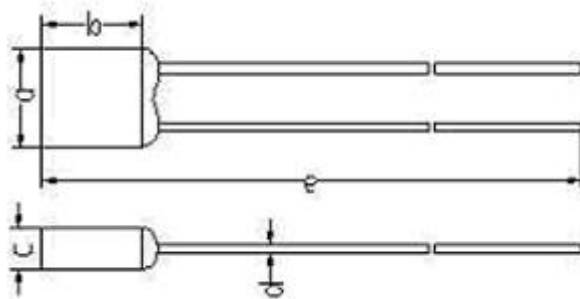


Size: (mm)		P-1A-F		
a	b	c	d	e
6.5±0.5	38±3	Φ0.54±0.05	Φ2.1±0.1	2.4 or below

Rated functioning temp.(T _f):	The temperature at which a Thermal Cutoff changes its state of conductivity to open circuit detection current. The tolerance according to IEC60691 is from +0 to -10degC. (With Japan Electrical Appliance and Material Law, on the other hand, they must function in the tolerance range of +/-7degC)
Fusing-off temperature:	The fusing-off temperature indicates value measured in silicon oil with a temperature increased by 0.5-1degC per minute and a detective current 100mA or less.
Holding temperature(T _h):	The maximum temperature at which a Thermal Cutoff will not cause a change in state of conductivity to open circuit while conducting rated for 168 hours. This rating is required by safety standards based on IEC60691
Maximum temp. limit(T _m):	The maximum temperature at which a Thermal Cutoff can be maintained for 10 minutes without re-closing. This rating is required by safety standards based on IEC60691

Rated current(Ir):	The allowable maximum current which a Thermal Cutoff is able to carry.
Rated voltage(Ur):	The allowable maximum voltage which a Thermal Cutoff is able to be applied.

A-F													
Model No.	Rated functioning temp.	Fusing-off temperature	Holding temperature	Maximum temp. limit	Rated current	Rated voltage	Safety Approval						RoHS compliance
							UL	CUL	VDE	TUV	PSE	CCC	
A1-F	102°C	98±2°C	79°C	203°C	2A	250V	•	•	•	•	•	•	•
A2-F	115°C	112±3°C	92°C	203°C	2A	250V	•	•	•	•	•	•	•
A3-F	125°C	120±3°C	101°C	203°C	2A	250V	•	•	•	•	•	•	•
A4-F	130°C	126±2°C	107°C	203°C	2A	250V	•	•	•	•	•	•	•
A5-F	135°C	131±3°C	112°C	203°C	2A	250V	•	•	•	•	•	•	•
A7-F	138°C	135±2°C	115°C	203°C	2A	250V	•	•	•	•	•	•	•
A8-F	150°C	145±3°C	126°C	203°C	2A	250V	•	•	•	•	•	•	•



Size: (mm)		(A-F)		
a	b	c	d	e
6.2±0.5	6.3±0.5	2.5±0.3	Φ0.54±0.05	70±3

Rated functioning temp.(Tf):	The temperature at which a Thermal Cutoff changes its state of conductivity to open circuit detection current. The tolerance according to IEC60691 is from +0 to -10degC. (With Japan Electrical Appliance and Material Law, on the other hand, they must function in the tolerance range of +/-7degC)
Fusing-off temperature:	The fusing-off temperature indicates value measured in silicon oil with a temperature increased by 0.5-1degC per minute and a detective current 100mA or less.
Holding temperature(Th):	The maximum temperature at which a Thermal Cutoff will not cause a change in state of conductivity to open circuit while conducting rated for 168 hours. This rating is required by safety standards

	based on IEC60691.
Maximum temp. limit(Tm):	The maximum temperature at which a Thermal Cutoff can be maintained for 10 minutes without re-closing. This rating is required by safety standards based on IEC60691.
Rated current(Ir):	The allowable maximum current which a Thermal Cutoff is able to carry.
Rated voltage(Ur):	The allowable maximum voltage which a Thermal Cutoff is able to be applied.

P-F													
Model No.	Rated functioning temp.	Fusing-off temperature	Holding temperature	Maximum temp. limit	Rated current	Rated voltage	Safety Approval					RoHS compliance	
							UL	CUL	VDE	PSE	CCC		EK
P2-F	115°C	112±3°C	85°C	180°C	2A	250Vac	•	•	•	•	•	•	•
P3-F	125°C	120±3°C	97°C	180°C	2A	250Vac	•	•	•	•	•	•	•
P4-F	130°C	126±2°C	102°C	180°C	2A	250Vac	•	•	•	•	•	•	•
P5-F	135°C	131±3°C	105°C	180°C	2A	250Vac	•	•	•	•	•	•	•
P9-F	138°C	135±2°C	108°C	180°C	2A	250Vac	•	•	•	•	•	•	•
P7-F	150°C	145±3°C	120°C	180°C	2A	250Vac	•	•	•	•	•	•	•

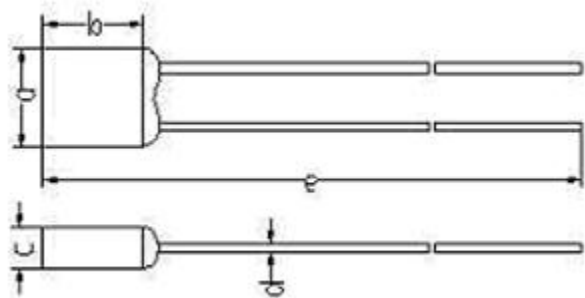


Size: (mm)		(P-F)		
a	b	c	d	e
9.0±0.5	38±3	Φ0.54±0.05	Φ2.5±0.1	3.3 or below

Rated functioning temp.(Tf):	The temperature at which a Thermal Cutoff changes its state of conductivity to open circuit detection current. The tolerance according to IEC60691 is from +0 to -10degC. (With Japan Electrical Appliance and Material Law, on the other hand, they must function in the tolerance range of +/-7degC)
Fusing-off temperature:	The fusing-off temperature indicates value measured in silicon oil with a temperature increased by 0.5-1degC per minute and a detective current 100mA or less.
Holding temperature(Th):	The maximum temperature at which a Thermal Cutoff will not cause a change in state of conductivity to open circuit while conducting rated for 168 hours. This rating is required by safety standards

	based on IEC60691.
Maximum temp. limit(Tm):	The maximum temperature at which a Thermal Cutoff can be maintained for 10 minutes without re-closing. This rating is required by safety standards based on IEC60691.
Rated current(Ir):	The allowable maximum current which a Thermal Cutoff is able to carry.
Rated voltage(Ur):	The allowable maximum voltage which a Thermal Cutoff is able to be applied.

A-3A-F												
Model No.	Rated functioning temp.	Fusing-off temperature	Holding temperature	Maximum temp. limit	Rated current	Rated voltage	Safety Approval					RoHS compliance
							UL	CUL	VDE	PSE	CCC	
A0-3A-F	84°C	82±2°C	40°C	180°C	3A	250Vac	•	•	•	•	•	•
A1-3A-F	102°C	98±2°C	63°C	180°C	3A	250Vac	•	•	•	•	•	•
A2-3A-F	115°C	112±3°C	75°C	180°C	3A	250Vac	•	•	•	•	•	•
A3-3A-F	125°C	120±3°C	85°C	180°C	3A	250Vac	•	•	•	•	•	•
A4-3A-F	130°C	126±2°C	90°C	180°C	3A	250Vac	•	•	•	•	•	•
A5-3A-F	135°C	131±3°C	90°C	180°C	3A	250Vac	•	•	•	•	•	•
A7-3A-F	138°C	135±2°C	93°C	180°C	3A	250Vac	•	•	•	•	•	•
A8-3A-F	150°C	145±3°C	105°C	180°C	3A	250Vac	•	•	•	•	•	•

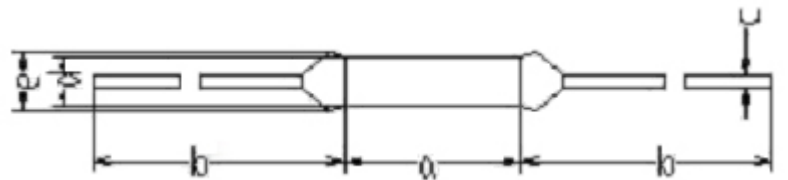


Size: (mm)		(A-3A-F)				
a	b	c	d	e		
6.2±0.5	6.3±0.5	2.5±0.3	Φ0.6±0.02	70±3		

Rated functioning temp.(Tf):	The temperature at which a Thermal Cutoff changes its state of conductivity to open circuit detection current. The tolerance according to IEC60691 is from +0 to -10degC. (With Japan Electrical Appliance and Material Law, on the other hand, they must function in the tolerance
------------------------------	---

	range of +/-7degC)
Fusing-off temperature:	The fusing-off temperature indicates value measured in silicon oil with a temperature increased by 0.5-1degC per minute and a detective current 100mA or less.
Holding temperature(Th):	The maximum temperature at which a Thermal Cutoff will not cause a change in state of conductivity to open circuit while conducting rated for 168 hours. This rating is required by safety standards based on IEC60691.
Maximum temp. limit(Tm):	The maximum temperature at which a Thermal Cutoff can be maintained for 10 minutes without re-closing. This rating is required by safety standards based on IEC60691.
Rated current(Ir):	The allowable maximum current which a Thermal Cutoff is able to carry.
Rated voltage(Ur):	The allowable maximum voltage which a Thermal Cutoff is able to be applied.

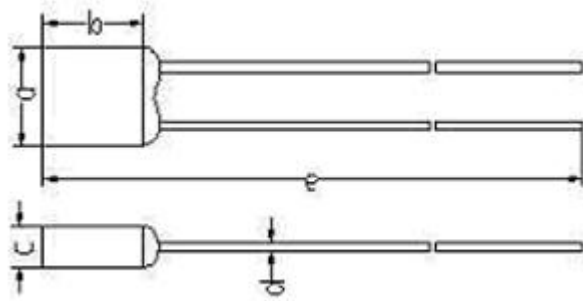
P-3A-F												
Model No.	Rated functioning temp.	Fusing-off temperature	Holding temperature	Maximum temp. limit	Rated current	Rated voltage	Safety Approval					RoHS compliance
							UL	CUL	VDE	PSE	CCC	
P0-3A-F	84°C	82±2°C	55°C	180°C	3A	250Vac	•	•	•	•	•	•
P2-3A-F	115°C	112±3°C	75°C	180°C	3A	250Vac	•	•	•	•	•	•
P3-3A-F	125°C	120±3°C	85°C	180°C	3A	250Vac	•	•	•	•	•	•
P4-3A-F	130°C	126±2°C	90°C	180°C	3A	250Vac	•	•	•	•	•	•
P5-3A-F	135°C	131±3°C	90°C	180°C	3A	250Vac	•	•	•	•	•	•
P9-3A-F	138°C	135±2°C	95°C	180°C	3A	250Vac	•	•	•	•	•	•
P7-3A-F	150°C	145±3°C	105°C	180°C	3A	250Vac	•	•	•	•	•	•



Size: (mm)		(P-3A-F)				
a	b	c	d	e		
10.0±0.5	38±3	Φ0.6±0.02	Φ3.0±0.1	3.3 or below		

Rated functioning temp.(Tf):	The temperature at which a Thermal Cutoff changes its state of conductivity to open circuit detection current. The tolerance according to IEC60691 is from +0 to -10degC. (With Japan Electrical Appliance and Material Law, on the other hand, they must function in the tolerance range of +/-7degC)
Fusing-off temperature:	The fusing-off temperature indicates value measured in silicon oil with a temperature increased by 0.5-1degC per minute and a detective current 100mA or less.
Holding temperature(Th):	The maximum temperature at which a Thermal Cutoff will not cause a change in state of conductivity to open circuit while conducting rated for 168 hours. This rating is required by safety standards based on IEC60691.
Maximum temp. limit(Tm):	The maximum temperature at which a Thermal Cutoff can be maintained for 10 minutes without re-closing. This rating is required by safety standards based on IEC60691.
Rated current(Ir):	The allowable maximum current which a Thermal Cutoff is able to carry.
Rated voltage(Ur):	The allowable maximum voltage which a Thermal Cutoff is able to be applied.

A-5A-F												
Model No.	Rated functioning temp.	Fusing-off temperature	Holding temperature	Maximum temp. limit	Rated current	Rated voltage	Safety Approval					RoHS compliance
							UL	CUL	VDE	PSE	CCC	
A0-5A-F	84°C	82±2°C	40°C	180°C	5A	250Vac	●	●	●	●	●	●
A1-5A-F	102°C	98±2°C	63°C	180°C	5A	250Vac	●	●	●	●	●	●
A2-5A-F	115°C	112±3°C	75°C	180°C	5A	250Vac	●	●	●	●	●	●
A3-5A-F	125°C	120±3°C	85°C	180°C	5A	250Vac	●	●	●	●	●	●
A4-5A-F	130°C	126±2°C	90°C	180°C	5A	250Vac	●	●	●	●	●	●
A5-5A-F	135°C	131±3°C	90°C	180°C	5A	250Vac	●	●	●	●	●	●
A7-5A-F	138°C	135±2°C	93°C	180°C	5A	250Vac	●	●	●	●	●	●
A8-5A-F	150°C	145±3°C	105°C	180°C	5A	250Vac	●	●	●	●	●	●

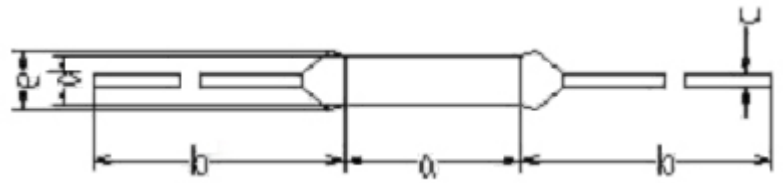


Size: (mm)		(A-5A-F)		
a	b	c	d	e
6.6±0.5	8.0±0.5	2.6±0.3	Ø0.6±0.02	70±3

Rated functioning temp.(Tf):	The temperature at which a Thermal Cutoff changes its state of conductivity to open circuit detection current. The tolerance according to IEC60691 is from +0 to -10degC. (With Japan Electrical Appliance and Material Law, on the other hand, they must function in the tolerance range of +/-7degC)
Fusing-off temperature:	The fusing-off temperature indicates value measured in silicon oil with a temperature increased by 0.5-1degC per minute and a detective current 100mA or less.
Holding temperature(Th):	The maximum temperature at which a Thermal Cutoff will not cause a change in state of conductivity to open circuit while conducting rated for 168 hours. This rating is required by safety standards based on IEC60691.
Maximum temp. limit(Tm):	The maximum temperature at which a Thermal Cutoff can be maintained for 10 minutes without re-closing. This rating is required by safety standards based on IEC60691.
Rated current(Ir):	The allowable maximum current which a Thermal Cutoff is able to carry.
Rated voltage(Ur):	The allowable maximum voltage which a Thermal Cutoff is able to be applied.

P-5A-F

Model No.	Rated functioning temp.	Fusing-off temperature	Holding temperature	Maximum temp. limit	Rated current	Rated voltage	Safety Approval					RoHS compliance
							UL	CUL	VDE	PSE	CCC	
P0-5A-F	84°C	82±2°C	55°C	180°C	5A	250Vac	●	●	●	●	●	●
P2-5A-F	115°C	112±3°C	75°C	180°C	5A	250Vac	●	●	●	●	●	●
P3-5A-F	125°C	120±3°C	85°C	180°C	5A	250Vac	●	●	●	●	●	●
P4-5A-F	130°C	126±2°C	90°C	180°C	5A	250Vac	●	●	●	●	●	●
P5-5A-F	135°C	131±3°C	90°C	180°C	5A	250Vac	●	●	●	●	●	●
P9-5A-F	138°C	135±2°C	95°C	180°C	5A	250Vac	●	●	●	●	●	●
P7-5A-F	150°C	145±3°C	105°C	180°C	5A	250Vac	●	●	●	●	●	●



Size: (mm)		(P-5A-F)		
a	b	c	d	e
11.5±0.5	38±3	Φ0.6±0.02	Φ3.3±0.2	3.6 or below

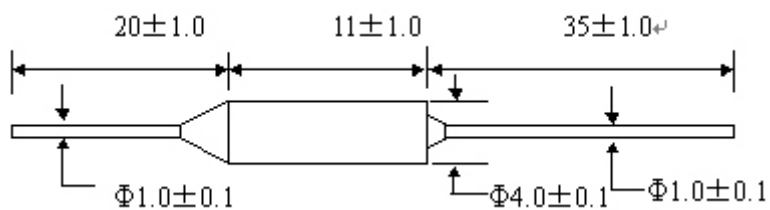
Rated functioning temp.(Tf):	The temperature at which a Thermal Cutoff changes its state of conductivity to open circuit detection current. The tolerance according to IEC60691 is from +0 to -10degC. (With Japan Electrical Appliance and Material Law, on the other hand, they must function in the tolerance range of +/-7degC)
Fusing-off temperature:	The fusing-off temperature indicates value measured in silicon oil with a temperature increased by 0.5-1degC per minute and a detective current 100mA or less.
Holding temperature(Th):	The maximum temperature at which a Thermal Cutoff will not cause a change in state of conductivity to open circuit while conducting rated for 168 hours. This rating is required by safety standards based on IEC60691.
Maximum temp. limit(Tm):	The maximum temperature at which a Thermal Cutoff can be maintained for 10 minutes without re-closing. This rating is required by safety standards based on IEC60691.
Rated current(Ir):	The allowable maximum current which a Thermal Cutoff is able to carry.
Rated voltage(Ur):	The allowable maximum voltage which a Thermal Cutoff is able to be applied.

AUPO BF

新 Model No.	Rated functioning temp.	Fusing-off temperature	Holding temperature	Maximum temp. limit	Rated current	Rated voltage	Safety Approval				RoHS compliance
							UL	VDE	PSE	CCC	
BF73	73°C	70±2°C	45°C	150°C	10A	250Vac	●	●	●	●	●
BF77	77°C	76+0/-4°C	51°C	150°C	10A	250Vac	●	●	●	●	●
BF84	84°C	82±2°C	58°C	150°C	10A	250Vac	○	●	●	●	●
BF94	94°C	93+3/-1°C	66°C	150°C	10A	250Vac	●	●	●	●	●
BF99	99°C	96±2°C	71°C	150°C	10A	250Vac	○	●	●	●	●
BF104	104°C	100±2°C	79°C	150°C	10A	250Vac	●	●	●	●	●
BF113	113°C	109+3/-1°C	84°C	150°C	10A	250Vac	○	●	●	●	●
BF117	117°C	115±2°C	92°C	160°C	10A	250Vac	●	●	●	●	●
BF121	121°C	119±2°C	94°C	160°C	10A	250Vac	●	●	●	●	●
BF133	133°C	129±2°C	104°C	160°C	10A	250Vac	●	●	●	●	●
BF142	142°C	139±2°C	114°C	160°C	10A	250Vac	●	●	●	●	●
BF157	157°C	152±2°C	127°C	172°C	10A	250Vac	●	●	●	●	●
BF172	172°C	169+3/-1°C	144°C	189°C	10A	250Vac	●	●	●	●	●
BF184	184°C	182+1/-3°C	159°C	210°C	10A	250Vac	●	●	●	●	●
BF192	192°C	188+3/-1°C	170°C	300°C	10A	250Vac	●	●	●	●	●
BF216	216°C	214+1/-3°C	191°C	380°C	10A	250Vac	●	●	●	●	●
BF229	229°C	226+3/-2°C	200°C	380°C	10A	250Vac	●	●	●	●	●
BF240	240°C	235±3°C	200°C	380°C	10A	250Vac	●	●	●	●	●



○ PENDING; ● APPROVAL



Rated functioning temp.(Tf):	The temperature at which a Thermal Cutoff changes its state of conductivity to open circuit detection current. The tolerance according to IEC60691 is from +0 to -10degC. (With Japan Electrical Appliance and Material Law, on the other hand, they must function in the tolerance range of +/-7degC)
Fusing-off temperature:	The fusing-off temperature indicates value measured in silicon oil with a temperature increased by 0.5-1degC per minute and a detective current 100mA or less.
Holding temperature(Th):	The maximum temperature at which a Thermal Cutoff will not cause a change in state of conductivity to open circuit while conducting rated for 168 hours. This rating is required by safety standards based on IEC60691.
Maximum temp. limit(Tm):	The maximum temperature at which a Thermal Cutoff can be maintained for 10 minutes without re-closing. This rating is required by safety standards based on IEC60691.
Rated current(Ir):	The allowable maximum current which a Thermal Cutoff is able to carry.
Rated voltage(Ur):	The allowable maximum voltage which a Thermal Cutoff is able to be applied.