

Power Resistor Thick Film Technology



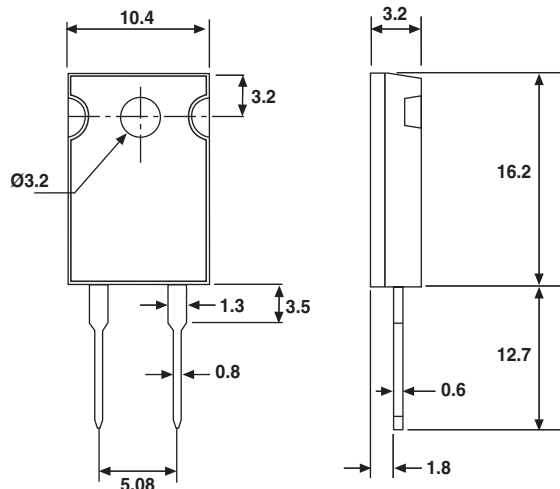
LTO series are the extension of RTO types. We used the direct ceramic mounting design (no metal tab) of our RCH power resistors applied to semiconductor packages.

FEATURES

- 50 Watt at 25°C Case Temperature Heatsink Mounted
- Direct mounting ceramic on heatsink
- Broad Resistance Range: R010 to 550k
- Non Inductive
- TO-220 package: Compact and easy to mount
- RoHS compliant
- Isolated case



DIMENSIONS in millimeters



• Tolerance unless otherwise specified: ± 0.3mm

MECHANICAL SPECIFICATIONS

Mechanical Protection	Molded
Resistive Element	Thick Film
Substrate	Alumina
Connections	Tinned Copper
Weight	2g max.
Mounting Torque	1N-m

DIMENSIONS

Standard Package	TO-220 Isolated case
------------------	-------------------------

ENVIRONMENTAL SPECIFICATIONS

Temperature Range	- 55°C to + 150°C
Climatic Category	55/155/56

ELECTRICAL SPECIFICATIONS

Resistance Range	0.010Ω to 550kΩ
Tolerances (Standard)	± 1% to ± 10%
Dissipation and Associated	Onto a heatsink
Power Rating and Thermal Resistance of the component	50W at + 25°C (case temperature) R _{TH} (j-c): 2.5°C/W free air: 2.5W at + 25°C
Temperature Coefficient	See Performance table
Standard	± 150ppm/°C
Limiting Element Voltage	250V
Dielectric Strength MIL STD 202	1500V _{RMS} - 1minute - 10mA max.
Insulation Resistance	≥ 10 ⁴ MΩ
Inductance	≤ 0.1 μH
Critical Resistance	1.25 kΩ



PERFORMANCE		
TESTS	CONDITIONS	TYPICAL DRIFTS
Momentary Overload	EN60115-1 1.5Pr/5s Us < 1.5UL	± (0.5% + 0.005Ω)
Rapid Temperature Change	EN60115-1 IEC 60068-2-14 Tests Na 5 cycles - 55°C to + 155°C	± (0.5% + 0.005Ω)
Load Life	EN60115-1 1000h Pr at + 25°C	± (1% + 0.005Ω)
Humidity (Steady State)	MIL STD 202 Method 103 B Cond. D	± (0.5% + 0.005Ω)
Vibration	MIL STD 202 Method 204 Cond. D	± (0.2% + 0.005Ω)
Terminal Strength	MIL STD 202 Method 211 Cond. A1	± (0.2% + 0.005Ω)
Shock	100G, MIL STD 202 Method 213 Cond. I	± (0.5% + 0.005Ω)

SPECIAL FEATURES				
Resistance Values	≥ 0.010	≥ 0.015	≥ 0.1	≥ 0.5
Tolerances	± 1% at ± 10%			
Typical Temperature Coefficient (- 55°C/+ 150°C)	± 900ppm/°C	± 700ppm/°C	± 250ppm/°C	± 150ppm/°C

CHOICE OF THE HEATSINK

The user must choose according to the working conditions of the component (power, room temperature).

Maximum working temperature must not exceed 155°C. The dissipated power is simply calculated by the following ratio:

$$P = \frac{\Delta T}{[R_{TH} (j-c) + R_{TH} (c-a)]} \quad (1)$$

P: expressed in W

ΔT: difference between maximum working temperature and room temperature.

R_{TH} (j-c): thermal resistance value measured between resistive layer and outer side of the resistor. It is the thermal resistance of the component.

R_{TH} (c-a): thermal resistance value measured between outer side of the resistor and room temperature. It is the thermal resistance of the heatsink itself (type, shape), the quality of the fastening device, and the thermal resistance of the thermal compound.

Example:

R_{TH} (c-a) for LTO50 power rating 10W at ambient temperature + 30°C.

Thermal resistance R_{TH} (j-c): 2.5°C/W

Considering equation (1) we have:

$$\Delta T = 155^\circ\text{C} - 30^\circ\text{C} = 125^\circ\text{C}$$

$$R_{TH} (j-c) + R_{TH} (c-a) = \frac{\Delta T}{P} = \frac{125}{10} = 12.5^\circ\text{C/W}$$

$$R_{TH} (c-a) = 12.5^\circ\text{C/W} - 2.5^\circ\text{C/W} = 10^\circ\text{C/W}$$

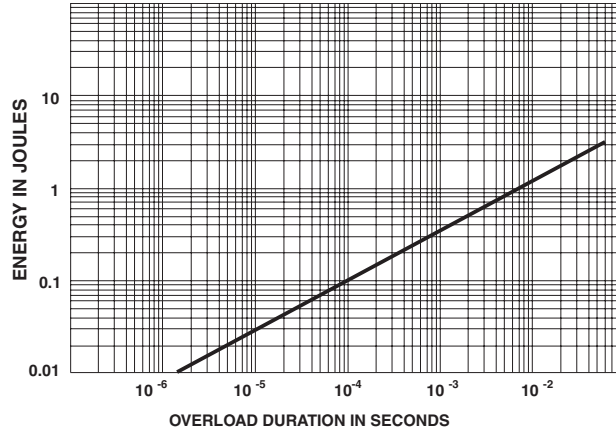
with a thermal grease R_{TH} (c - h) = 1°C/W, we need a heat sink with R_{TH} (h - a) = 9°C/W



OVERLOADS

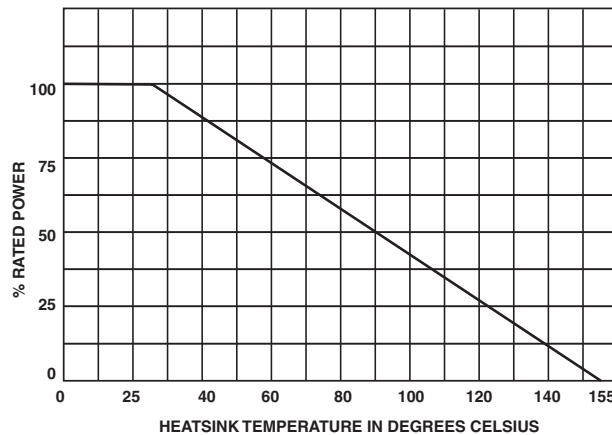
In any case the applied voltage must be lower than the maximum overload voltage of 375V. The values indicated on the graph below are applicable to resistors in air or mounted onto a heatsink.

ENERGY CURVE



POWER RATING CHART

The temperature of the heatsink should be maintained within the limits specified. To improve the thermal conductivity, surfaces in contact should be coated with a silicone grease and the torque applied on the screw for tightening should be around 1Nm.



MARKING

Model, Style, Resistance Value (in Ω), Tolerance (in %), Manufacturing Date, VISHAY trademark.

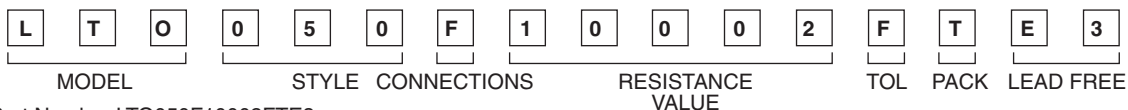
PACKAGING

Tube of 50 units

ORDERING INFORMATION

LTO	50	F	100kΩ	± 1%	xxx	e3
MODEL	STYLE	CONNECTIONS	RESISTANCE VALUE	TOLERANCE	CUSTOM DESIGN	LEAD FREE
				± 1%	Optional	
				± 2%	on request:	
				± 5%	special TCR,	
				± 10%	shape etc.	

SAP PART NUMBERING GUIDELINES



SAP Part Number LTO050F10002FTE3



Notice

Specifications of the products displayed herein are subject to change without notice. Vishay Intertechnology, Inc., or anyone on its behalf, assumes no responsibility or liability for any errors or inaccuracies.

Information contained herein is intended to provide a product description only. No license, express or implied, by estoppel or otherwise, to any intellectual property rights is granted by this document. Except as provided in Vishay's terms and conditions of sale for such products, Vishay assumes no liability whatsoever, and disclaims any express or implied warranty, relating to sale and/or use of Vishay products including liability or warranties relating to fitness for a particular purpose, merchantability, or infringement of any patent, copyright, or other intellectual property right.

The products shown herein are not designed for use in medical, life-saving, or life-sustaining applications. Customers using or selling these products for use in such applications do so at their own risk and agree to fully indemnify Vishay for any damages resulting from such improper use or sale.