

Features

- ★ Low cost
- ★ With built in capacitor
- ★ Ex-stock available

Applications

- ★ Microprocessor system
- ★ VCD player
- ★ Home appliance
- ★ Cassette recorder
- ★ Automotive electronics
- ★ Communication equipment
- ★ TV



ZTT MG



ZTT MX

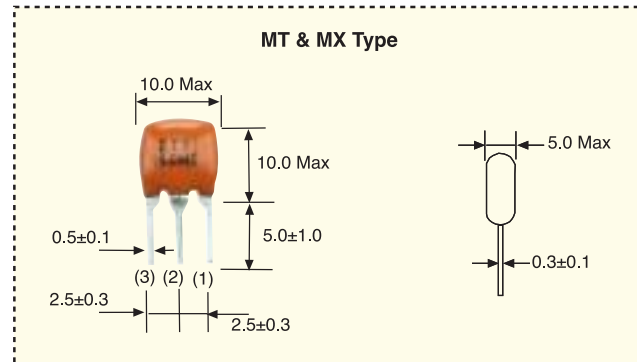
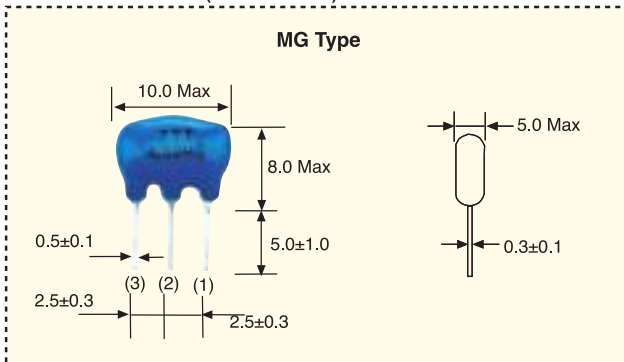


ZTT MT

Specifications (Characteristics)

| Part Number | Frequency Range | Frequency Accuracy | Stability in Temperature (-20°C~+80°C) | Aging for Ten Years | Load Capacitance | | Package |
|-------------|-----------------|--------------------|--|---------------------|------------------|----|--------------|
| | | | | | C1 | C2 | |
| ZTT MG | 1.80~8.00MHz | ±0.5% | ±0.3% | ±0.3% | See Table 1 | | 500pcs / bag |
| ZTT MT | 6.01~13.00MHz | ±0.5% | ±0.3% | ±0.3% | | | |
| ZTT MX | 12.00~60.00MHz | ±0.5% | ±0.3% | ±0.3% | | | |

Dimension (Unit : mm)



Test Circuit

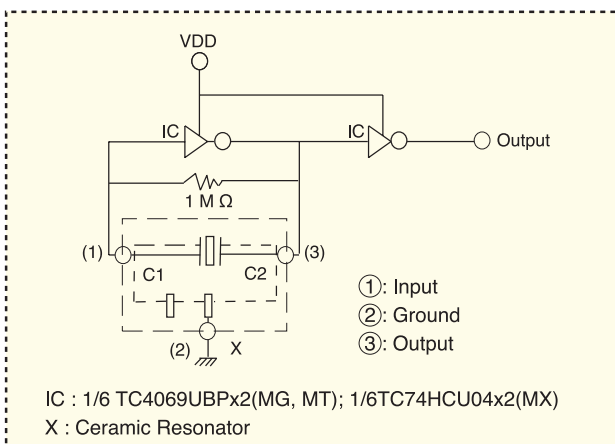


Table 1

| Circuit constants | |
|-------------------|--------|
| Frequency | C1, C2 |
| 1.80 ~ 8MHz | 30pF |
| 6.01 ~ 13.0MHz | 22pF |
| 13.0 ~ 20.0MHz | 30pF |
| 20.01 ~ 25.99MHz | 15pF |
| 26.00 ~ 60.00MHz | 5pF |

Ordering Code

| Part Number Code | Holder Type + Frequency + Design Mode |
|------------------|---------------------------------------|
| Ordering Code | Same as Above |
| Example | ZTT1.80MG |
| | ZTT10.0MT |
| | ZTT30.0MX |