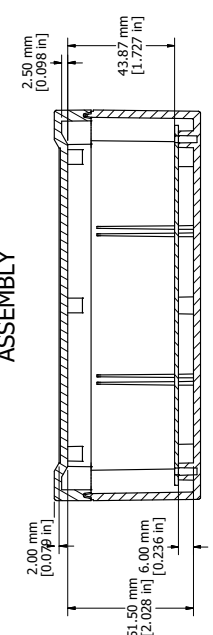
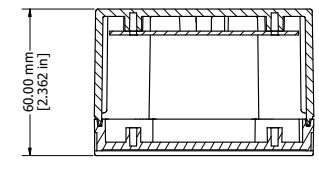


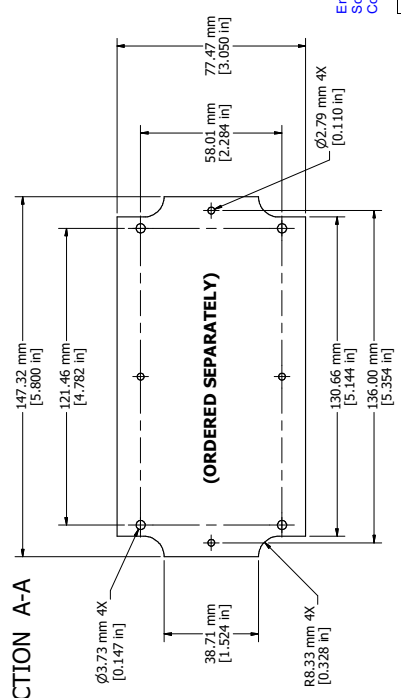
ASSEMBLY



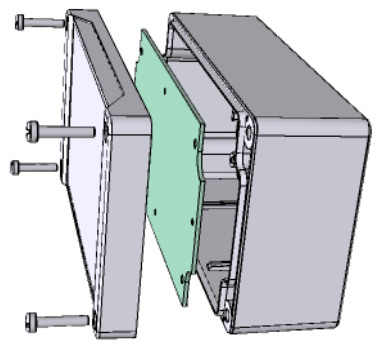
SECTION B-B



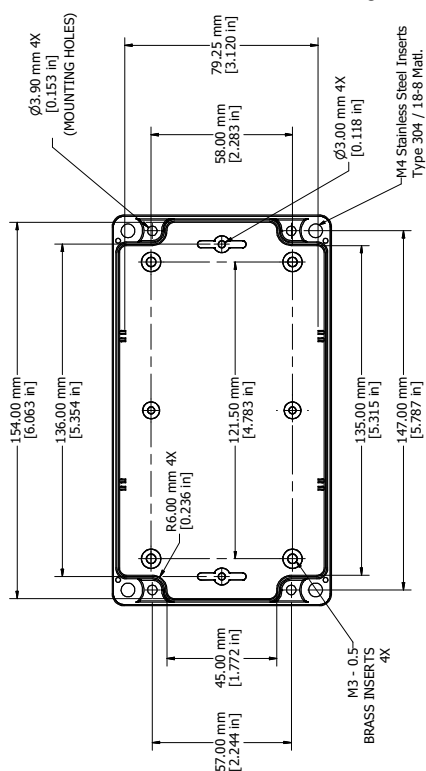
SECTION A-A



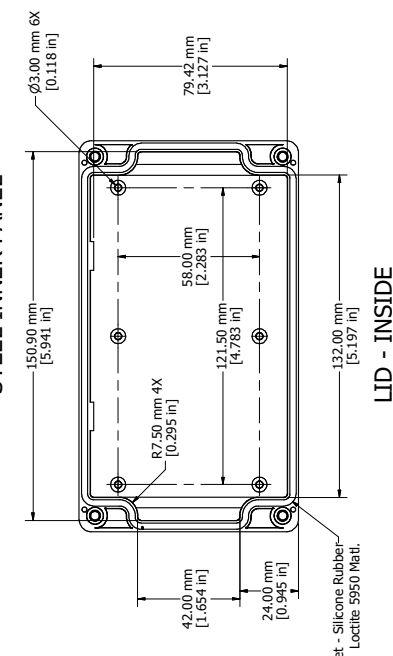
(ORDERED SEPARATELY)



UL LISTED
File #E65324
NEMA 4, 4X



STEEL INNER PANEL



LID - INSIDE

1555J Regular Enclosure	
General Purpose ABS RAL-7035 UL94-HB	1555JGY
Polycarbonate RAL-7035 UL94 - V0 / 5VA @ 3mm	1555JGY
ACCESSORIES	
Heavy Duty 16 Gauge Galvanized Steel Panels	1554JPL
Steel Panel / P.C. Board Machine Screw [M3 x 8mm Nickel Plated]	1591MM100
Steel Panel / P.C. Board Self Tapping Screw [#6 X 1/4" (6.4mm) Nickel Plated]	1598ATS100
Cover Screws (Pkg 4)	SC1554
[M4 X 20mm Type 304 Stainless Steel]	

NOTE
Purchased assembly includes box, lid, and 4 cover screws
Cover screws should be torqued to 2.5 lbf-in (30 cN-m)
Polycarbonate version is UL 508 approved

Enclosures can be Factory Modified (Milling, Drilling, Printing, etc.)
Solid models of this enclosure available in STEP or IGES.
Contact Factory mjm@hammondmg.com

