



SPECIFICATIONS

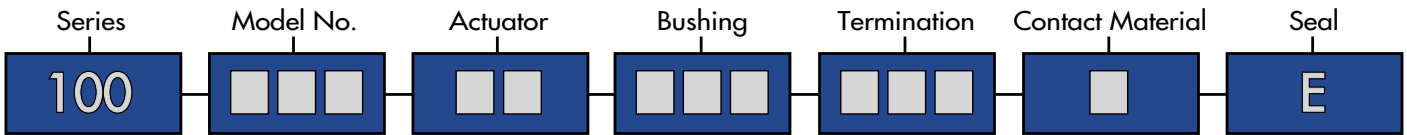
Contact Rating: See contact material options
 Electrical Life: 50,000 make-and-break cycles at full load
 Contact Resistance: 10 mΩ max. typical initial @ 2-4 VDC
 100 mA for both silver and gold plated contacts
 Insulation Resistance: 1,000 MΩ min.
 Dielectric Strength: 1,000 V RMS @ sea level
 Operating Temperature: -30° C to 85° C

MATERIALS

Case: Diallyl phthalate (DAP)
 Toggle Handle: Brass, chrome plated
 Switch Support: Brass or steel, tin plated
 Bushing: Brass, nickel plated
 Housing: Stainless steel
 Contacts / Terminals: Silver or gold plated copper alloy



HOW TO ORDER



Series	Model No.	Actuator	Bushing	Termination	Contact Material	Seal
100						E
	SP1	T1*	B1	M1	Q=Silver	Epoxy Seal at Base of Terminal
	SP2	T2	B2	M2	R=Gold	
	SP3	T3	B3	M3		
	SP4	T4	B4	M5		
	SP5	T5	B5	M6		
	DP1	T6	B6	M7		
	DP2	T7	B8	VS2		
	DP3	T8	B9	VS3		
	DP4	T9	B11	VS5		
	DP6		B12	M61		
	DP7	*Optional	B13	M64		
	DP8	Toggle Cap	B15	M71		
	3P1	(T1 Only):	B16	VS21		
	3P2	T100-1=White		VS31		
	3P3	T100-2=Black				
	3P4					
	3P5					
	4P1					
	4P2					
	4P3					
	4P4					
	4P5					
	4P6					
	4P7					
	4P8					

EXAMPLE



SPECIFICATIONS SUBJECT TO CHANGE WITHOUT NOTICE.

MINIATURE TOGGLE SWITCHES

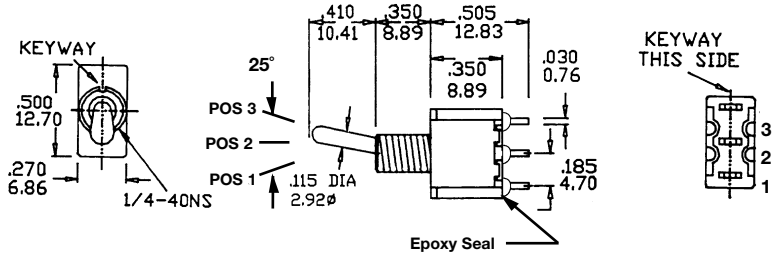


SPDT

Model No.	POS 1	POS 2	POS 3
SP-1	ON	NONE	ON
SP-2	ON	NONE	(ON)
SP-3	ON	OFF	ON
SP-4	(ON)	OFF	(ON)
SP-5	ON	OFF	(ON)
Term. Comm.	2-3	OPEN	2-1

Schematic

() = Momentary

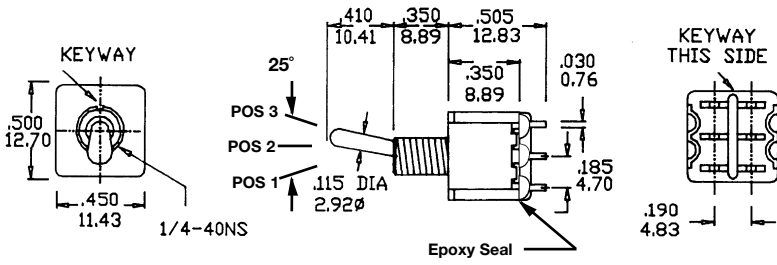
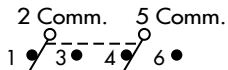


DPDT

Model No.	POS 1	POS 2	POS 3
DP-1	ON	NONE	ON
DP-2	ON	NONE	(ON)
DP-3	ON	OFF	ON
DP-4	(ON)	OFF	(ON)
DP-5	ON	OFF	(ON)
DP-6	ON	ON	ON
DP-7	ON	ON	(ON)
DP-8	(ON)	ON	(ON)
Term. Comm.	2-3, 5-6	OPEN	2-1, 5-4

Schematic

() = Momentary

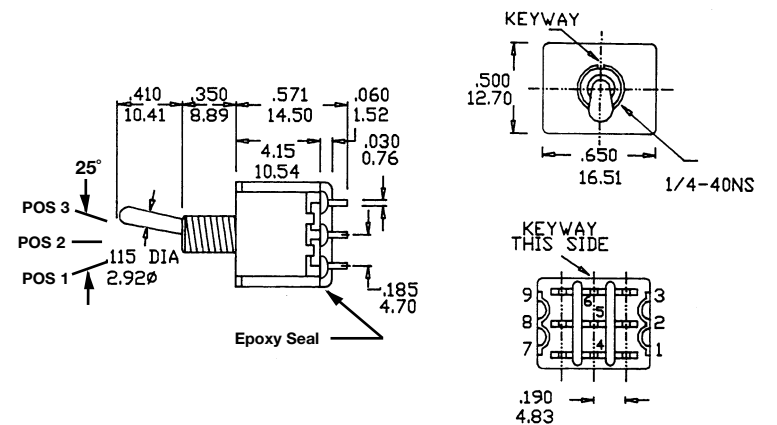
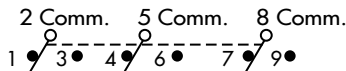


3PDT

Model No.	POS 1	POS 2	POS 3
3P-1	ON	NONE	ON
3P-2	ON	NONE	(ON)
3P-3	ON	OFF	ON
3P-4	(ON)	OFF	(ON)
3P-5	ON	OFF	(ON)
Term. Comm.	2-3, 5-6, 8-9	OPEN	2-1, 5-4, 8-7

Schematic

() = Momentary

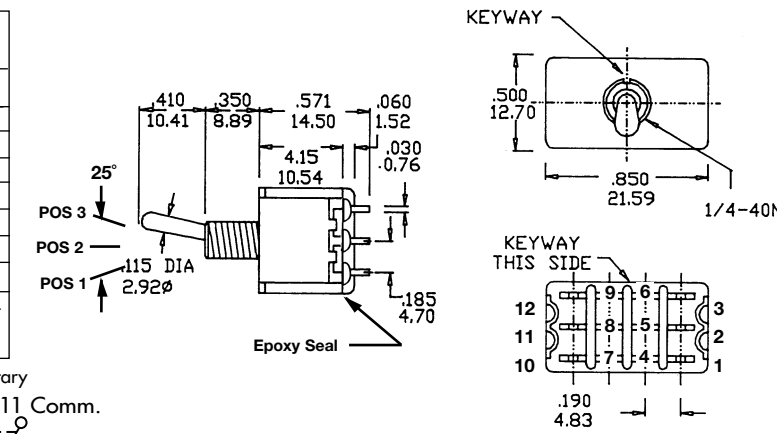
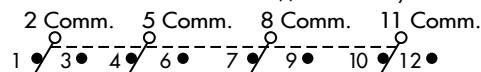


4PDT

Model No.	POS 1	POS 2	POS 3
4P-1	ON	NONE	ON
4P-2	ON	NONE	(ON)
4P-3	ON	OFF	ON
4P-4	(ON)	OFF	(ON)
4P-5	ON	OFF	(ON)
4P-6	ON	ON	ON
4P-7	ON	ON	(ON)
4P-8	(ON)	ON	(ON)
Term. Comm.	2-3, 5-6, 8-9, 11-12	OPEN	2-1, 5-4, 8-7, 11-10

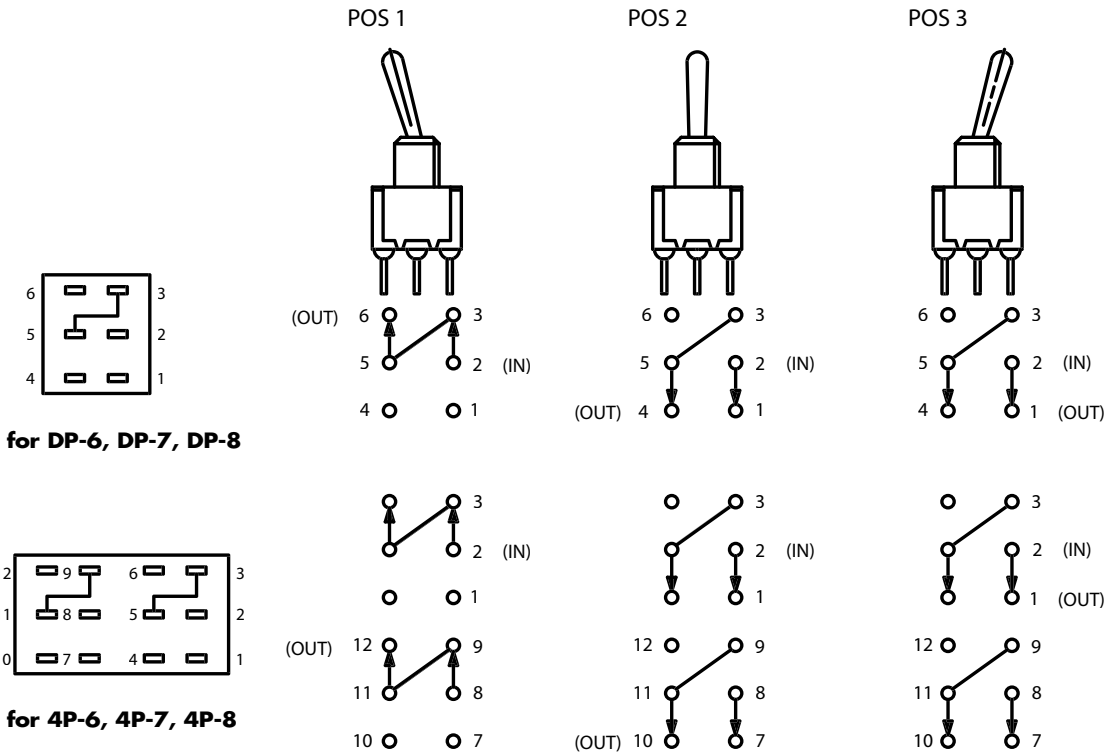
Schematic

() = Momentary



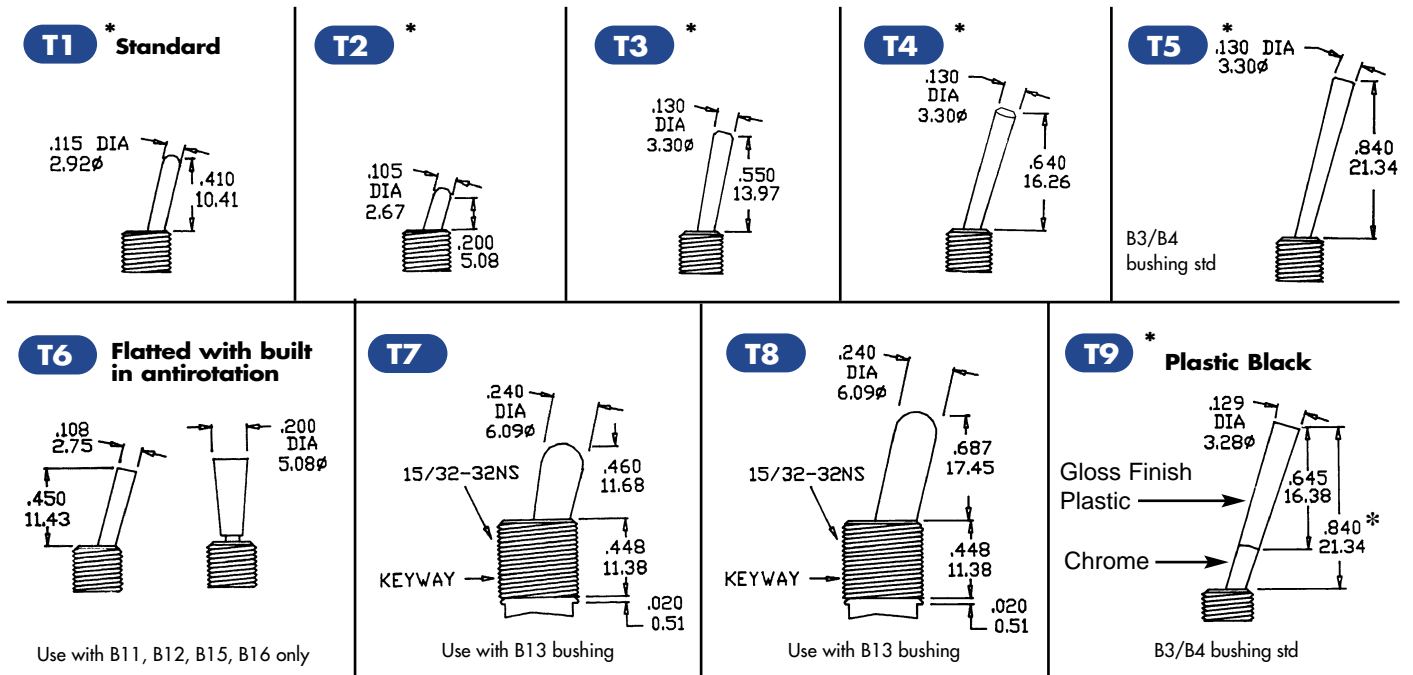
SPECIFICATIONS SUBJECT TO CHANGE WITHOUT NOTICE.

3 - WAY WIRING DIAGRAM SCHEMATICS



SPECIFICATIONS SUBJECT TO CHANGE WITHOUT NOTICE.

ACTUATOR OPTIONS



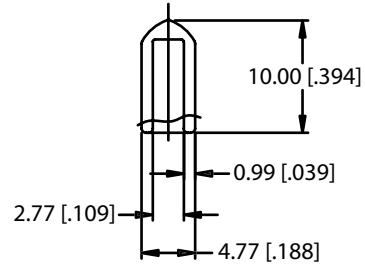
* Add .070 (1.78) for B3, B4 bushings, subtract .020 (0.51) for B6 bushing.



T100-1 WHITE
T100-2 BLACK

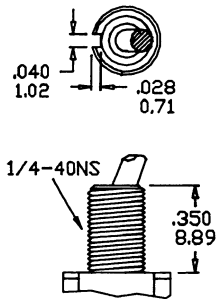
Use with T1

Optional Toggle Cap

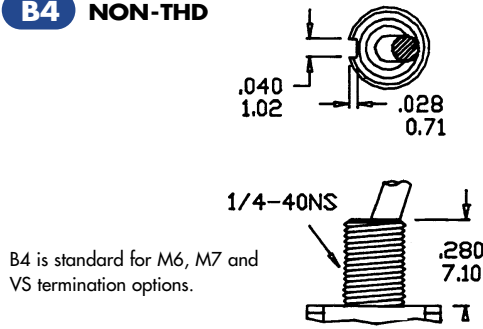


BUSHING OPTIONS

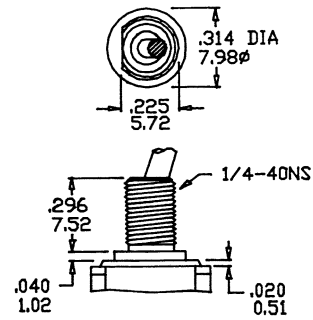
- B1** THD STD
- B2** NON-STD



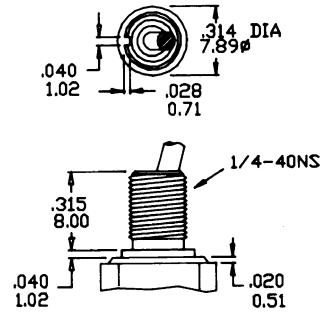
- B3** THD
- B4** NON-THD



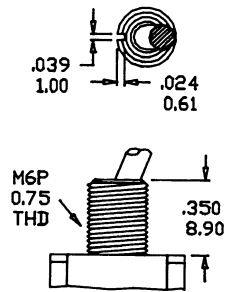
- B5** High Torque



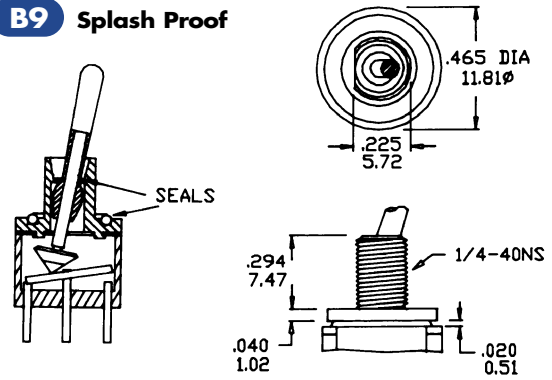
- B6** High Torque



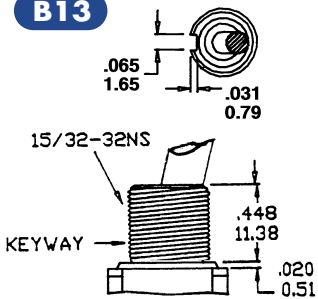
- B8** Metric THD



- B9** Splash Proof

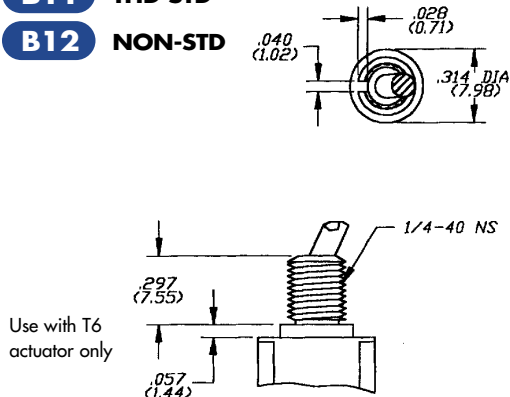


- B13**



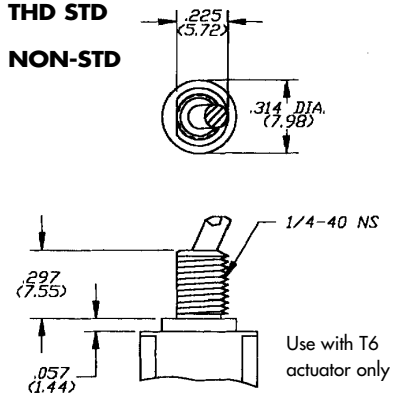
Use with T7 and T8 actuators only

- B11** THD STD
- B12** NON-STD



Use with T6 actuator only

- B15** THD STD
- B16** NON-STD

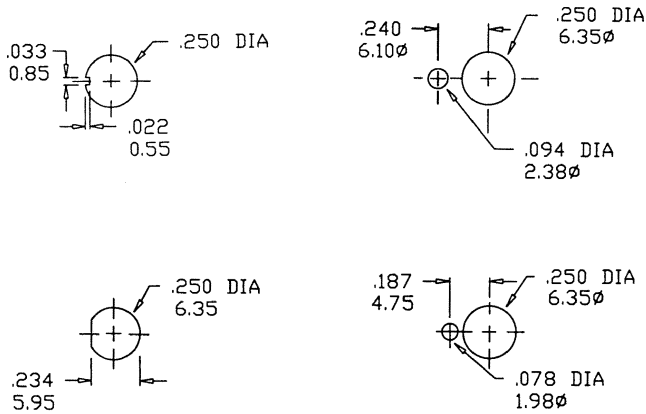


Use with T6 actuator only

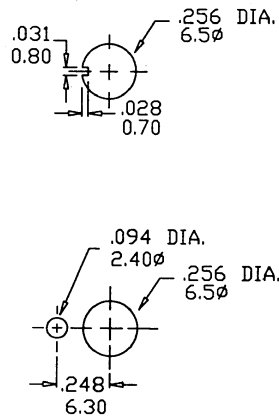
SPECIFICATIONS SUBJECT TO CHANGE WITHOUT NOTICE.

BUSHING OPTIONS - PANEL MOUNTING

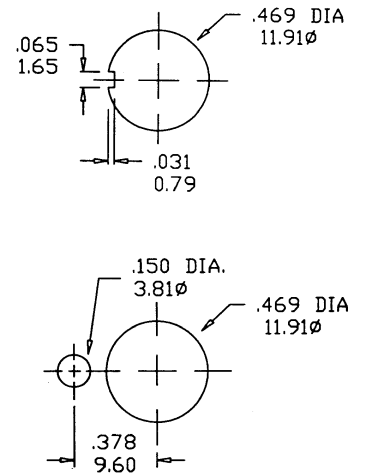
1/4 In. Bushing



Metric Bushing



15/32 In. Bushing

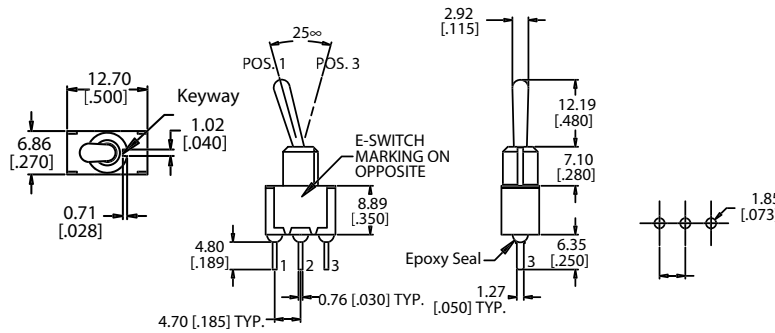


TERMINATION OPTIONS

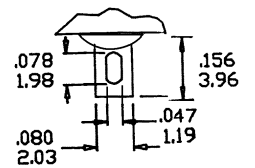
SPECIFICATIONS SUBJECT TO CHANGE WITHOUT NOTICE.



M2
SPDT

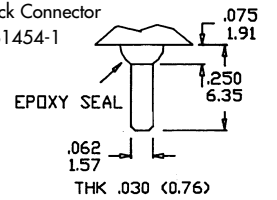


M1 Solder Lug



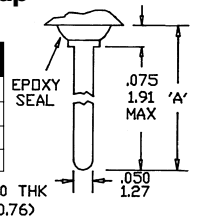
M3 Quick Connect

Mating Quick Connector
Amp P/N 61454-1

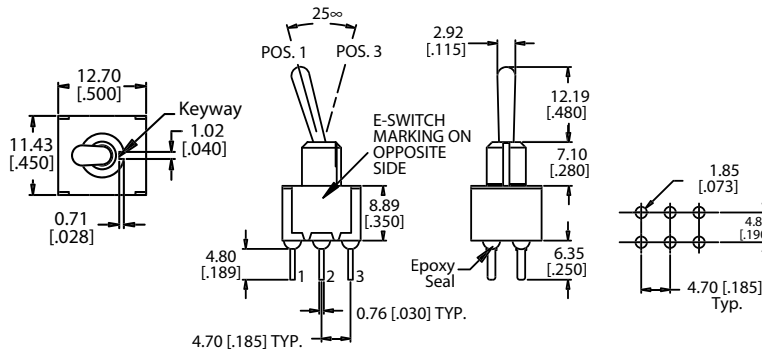


M5 Wire Wrap

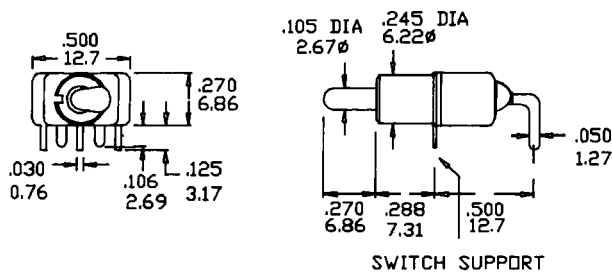
OPTION CODE	DIM. 'A'
M5-1	.750 (19.05)
M5-2	.964 (24.48)
M5-3	.425 (10.80)
M5-4	.062 (26.97)



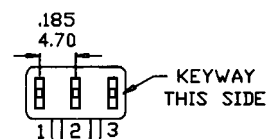
M2
DPDT



M6
SPDT

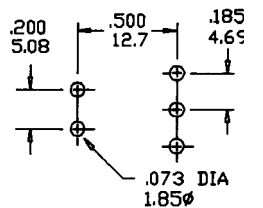


SWITCH SUPPORT



TERM. NOS. FOR REFERENCE ONLY

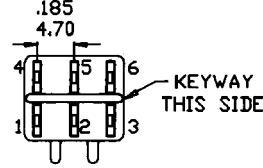
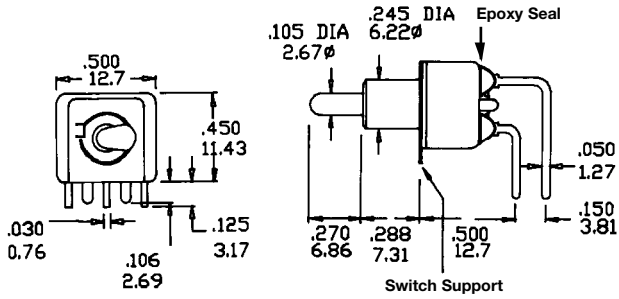
P.C. MOUNTING



MINIATURE TOGGLE SWITCHES

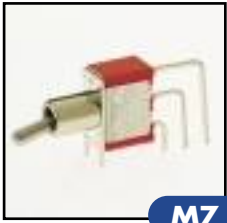
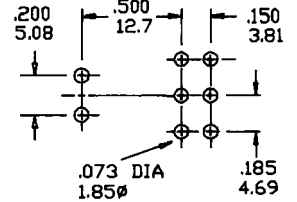


M6
DPDT

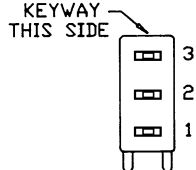
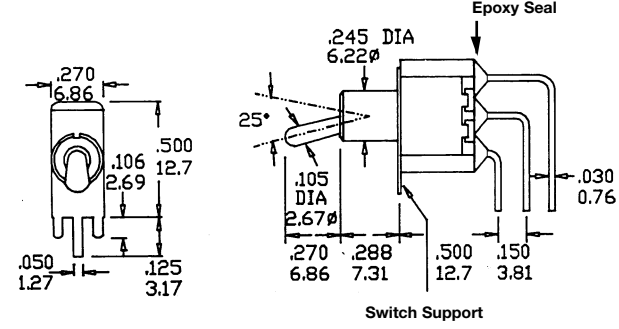


TERM. NOS. FOR REFERENCE ONLY

P.C. MOUNTING

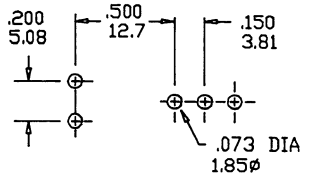


M7
SPDT

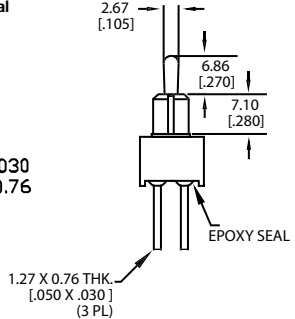
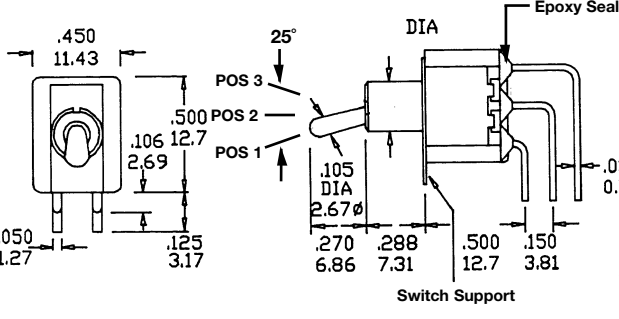


TERM. NOS. FOR REFERENCE ONLY

P.C. MOUNTING

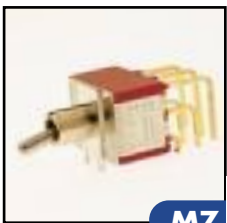
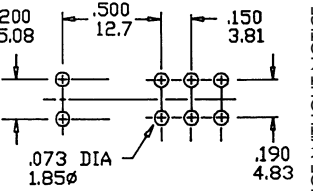


M7
DPDT

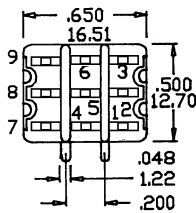
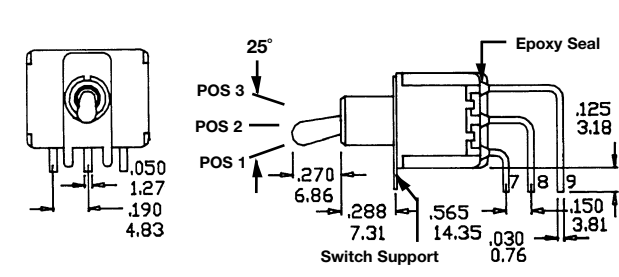


1.27 X 0.76 THK. [.050 X .030] (3 PL)

P.C. MOUNTING

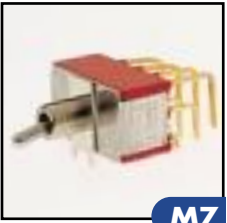
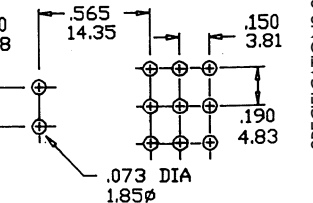


M7
3PDT

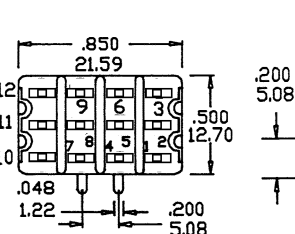
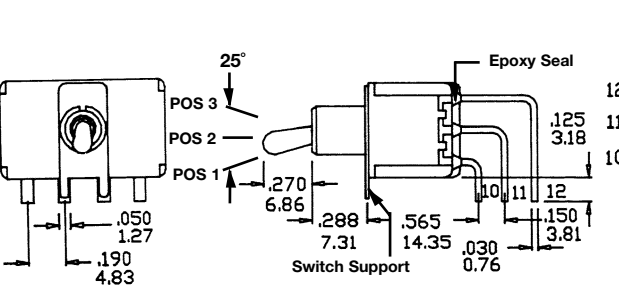


TERM. NOS. FOR REFERENCE ONLY

P.C. MOUNTING

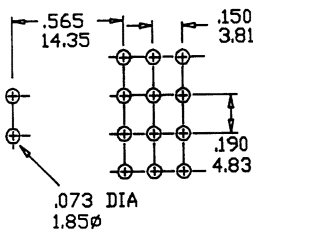


M7
4PDT

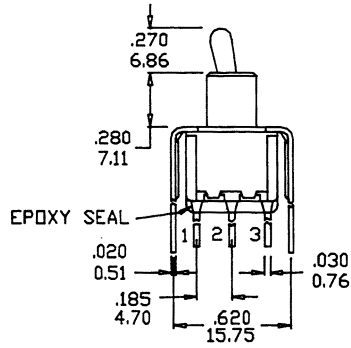


TERM. NOS. FOR REFERENCE ONLY

P.C. MOUNTING

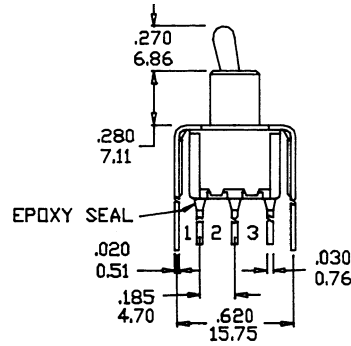
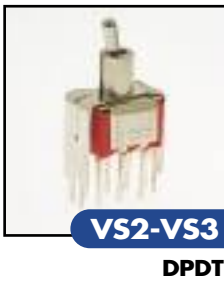
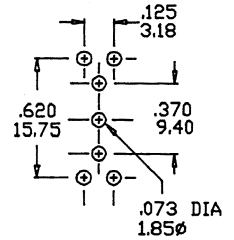


SPECIFICATIONS SUBJECT TO CHANGE WITHOUT NOTICE.



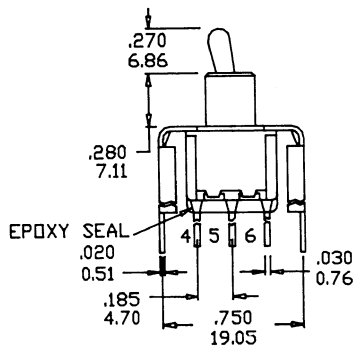
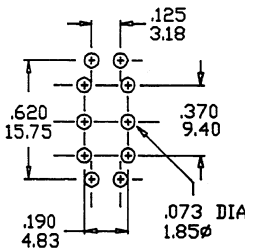
OPTION CODE	DIM. 'A'
VS2	.460 (11.68)
VS3	.630 (16.00)

P.C. MOUNTING



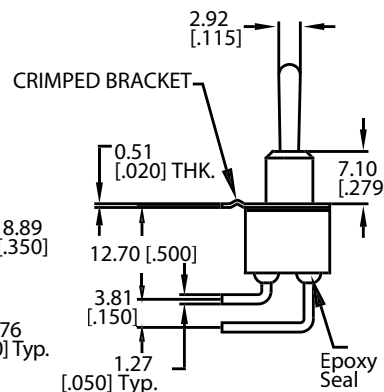
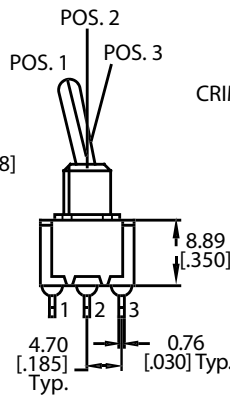
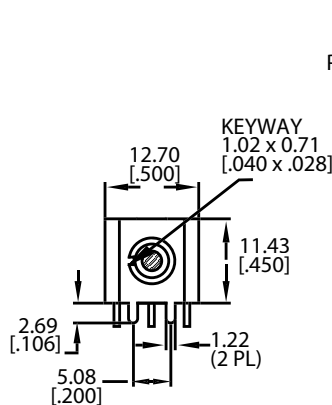
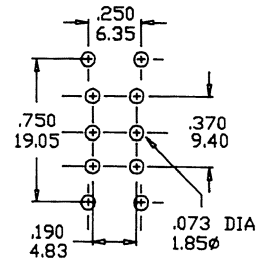
OPTION CODE	DIM. 'A'
VS2	.460 (11.68)
VS3	.630 (16.00)

P.C. MOUNTING

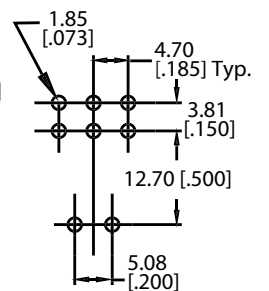


OPTION CODE	DIM. 'A'
VS5	.630 (16.00)

P.C. MOUNTING



P.C. MOUNTING

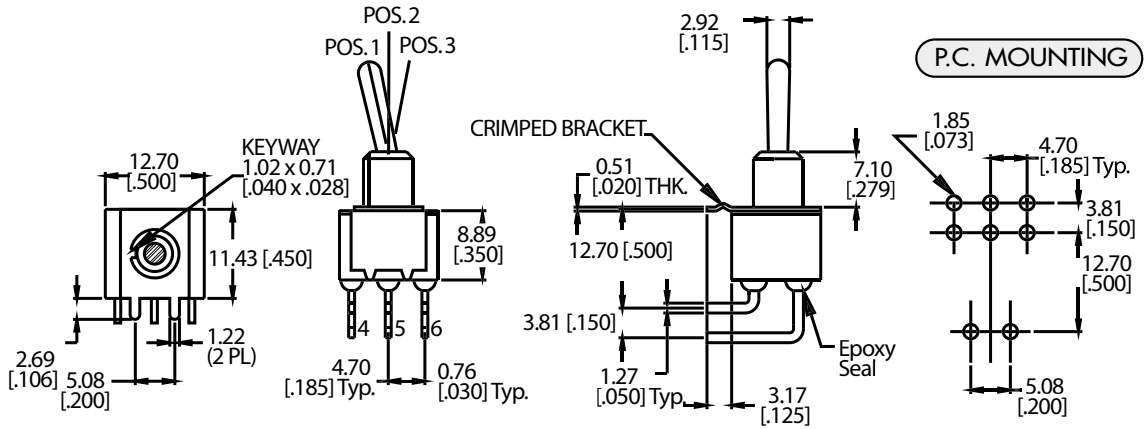


SPECIFICATIONS SUBJECT TO CHANGE WITHOUT NOTICE.

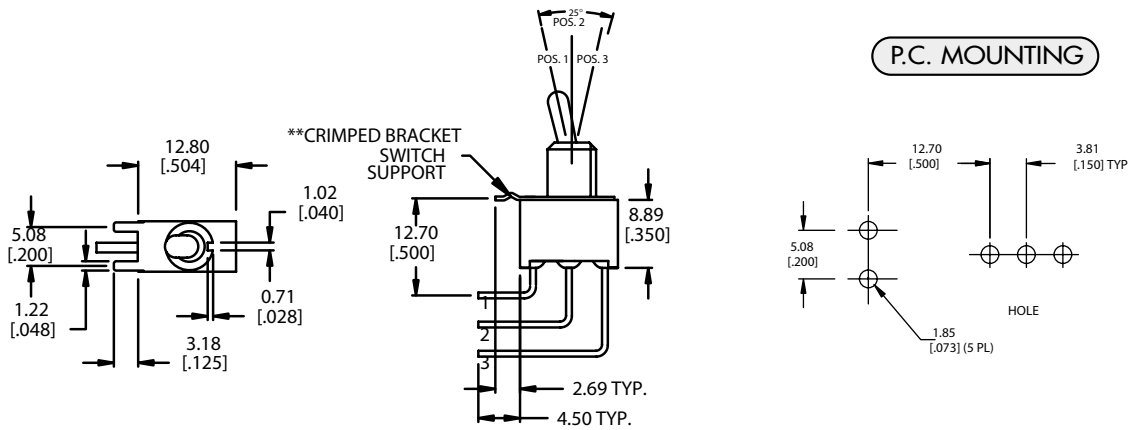
MINIATURE TOGGLE SWITCHES



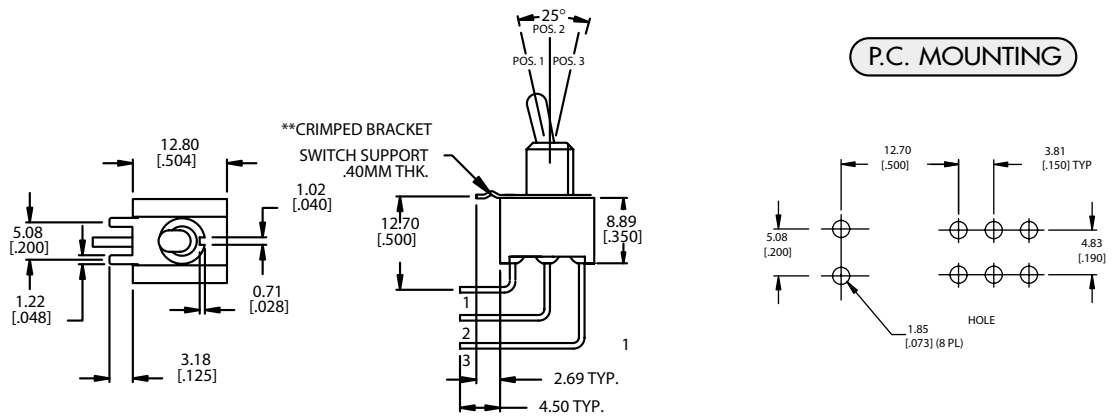
M61
DPDT



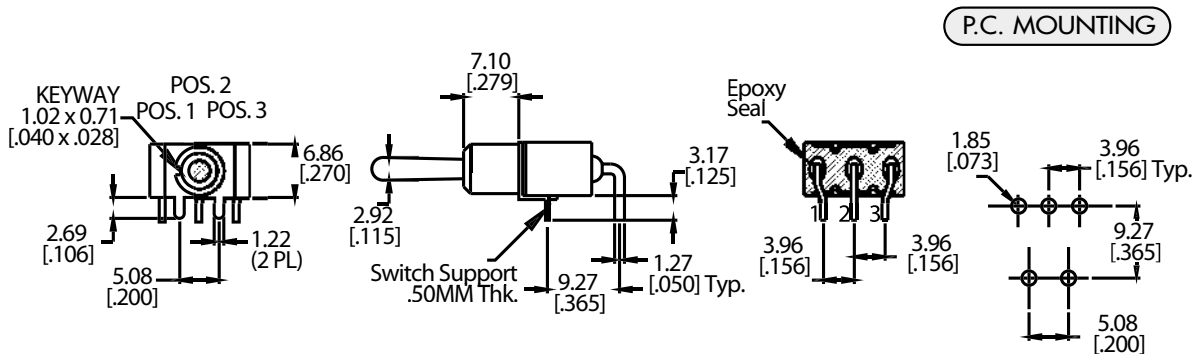
M71
SPDT



M71
DPDT



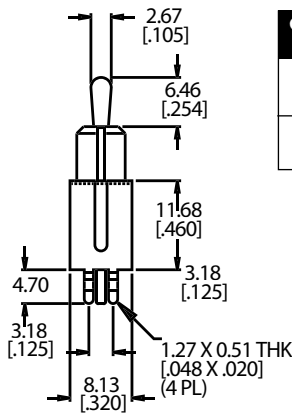
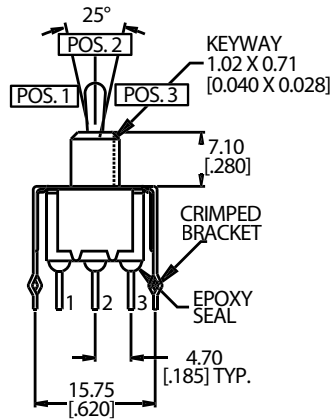
M64
SPDT





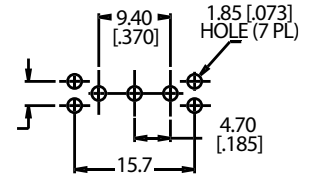
VS21-VS31

SPDT



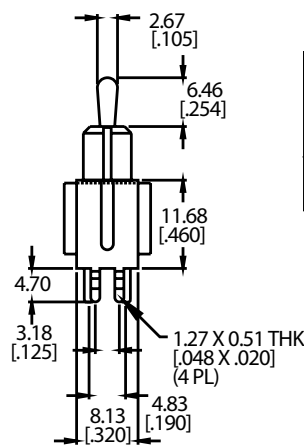
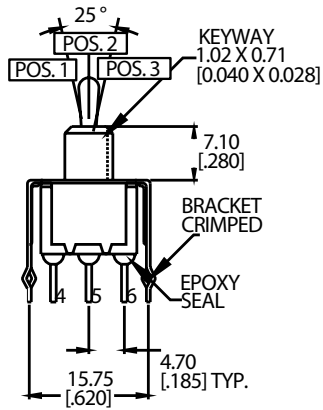
OPTION CODE	DIM. 'A'
VS2	.460 (11.68)
VS3	.630 (16.00)

P.C. MOUNTING



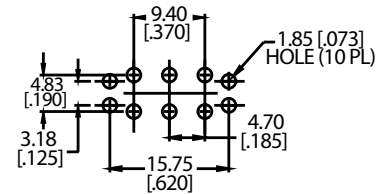
VS21-VS31

DPDT



OPTION CODE	DIM. 'A'
VS2	.460 (11.68)
VS3	.630 (16.00)

P.C. MOUNTING



CONTACT MATERIAL OPTIONS

Q

Fixed Terminal: Silver plated over copper alloy
Moving Contact: Silver plated over copper alloy
Rating: 5 Amps with resistive load @ 120VAC or 28VDC;
 2 Amps with resistive load @ 250VAC

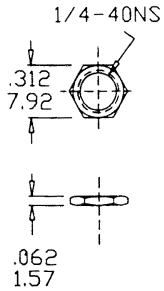
R

Fixed Terminal: Copper alloy with gold plate over nickel plate
Moving Contact: Copper alloy with gold plate over nickel plate
Rating: 0.4 Volt-Amps (VA) max. @ 20V max. (AC or DC)

SPECIFICATIONS SUBJECT TO CHANGE WITHOUT NOTICE.

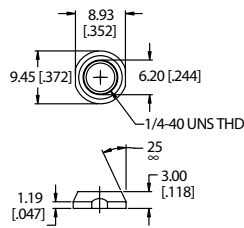
HARDWARE

HDW2 1/4 In. Nuts

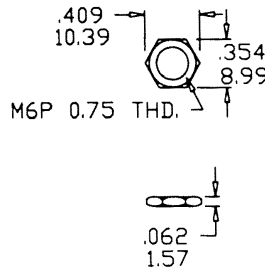


Supplied standard with B1, B3, B5, B6 and B9 options

HDW5 Blind Dressnut

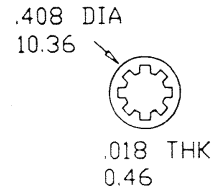


HDW6 Metric Nut



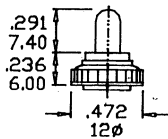
Supplied standard with B8 metric bushing

HDW11 Lock Washer



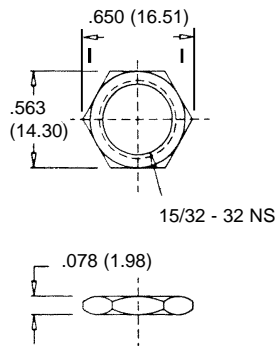
Supplied standard with B3/B4 bushing

Optional Rubber Hood Sealing



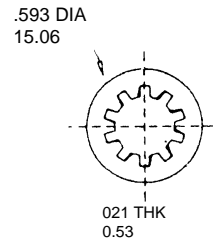
K1= Metric
E1= Inch (Std.)
for actuator T1, T2 and bushings B1, B3, B5, B6

HDW4 15/32 In. Nuts



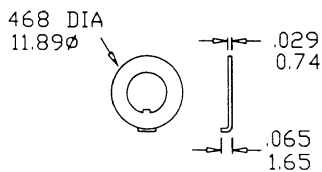
Supplied standard with B13 bushing

HDW12 Lock Washer



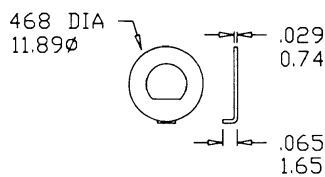
Supplied standard with B13 bushing

HDW15 Locking Ring



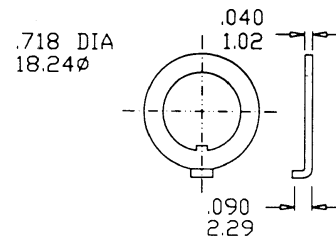
Supplied standard

HDW16 Locking Ring



Supplied with B5 bushing

HDW17 Locking Ring



Supplied with B13 bushing

SPECIFICATIONS SUBJECT TO CHANGE WITHOUT NOTICE.