

LIGHT COUNTRY CO., LTD

NO.37, ALLEY 3, LANE 458, YUEN HO ROAD, CHUNG HO CITY, TAIPEI, TAIWAN.
 TEL:+886-2-22253580 FAX:+886-2-22253827 E-MAIL:lcswwms14.hinet.net URL: www.lightcountry.com

SERIES R5 ROCKER SWITCH (DOUBLE POLE)

Technical data:

Electrical rating: 15A125VAC 10A250VAC
 20A125VAC 15A250VAC
 Mechanical life: Over 30000 cycles
 Electrical life: Over 10000 cycles
 Contact resistance: < 20m ohm (12V, 1A DC)
 Insulation resistance: > 1000 M ohm (500 VDC between the open contacts)
 High voltage resistance: > 1500V 1 minute. (initial)
 Ambient temperature: Terminal side -20 ~ +85 C, Actuating side -20 ~ +55 C
 Storage temperature: -30 ~ +80 C
 Atmospheric humidity: Max.85%
 Actuating force: 4~8N(dependent on switch function)
 Flammability: UL94 V-2
 Material housing: PA 66
 Material rocker: PA 66
 Contacts: Silver alloy
 Terminal: Brass (silver plated)
 Temperature rise at the terminal: Max 30 C (UL 1054)
 Solderability of terminal: Max 350C, 3s (no pressure may be exerted on the terminals when soldering by hand)



Approval marks:

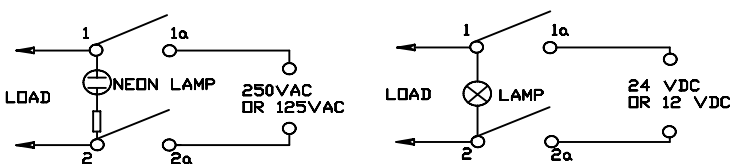


Ordering procedure:

R5 -- 1 -- 2 -- K -- K -- F -- T -- 0 -- F

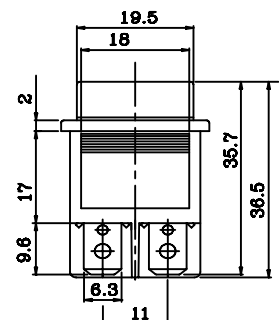
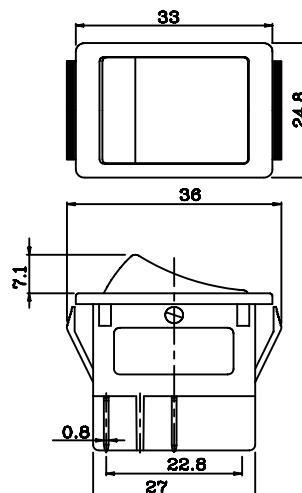
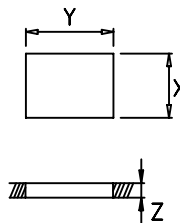
Function	Rating	Color of Housing	Color of Rocker	Marking	Terminal type	Lamp voltage	7 safety approval
1=on-off	2=10A250VAC	K=Black(std.) W=White G=Gray	K=Black(std.) W=White G=Gray R=Red Y=Yellow (illuminated) M=Green (illuminated) D=Red (illuminated)	E=	T= 250 Tab	0=No lamp 1=125VAC 2=250VAC 3=12VDC 4=24VDC	
2=on-on	15A125VAC			F=			
3=on-off-on	5=15A250VAC			B=			
4=on-(on)	20A125VAC			H=			
5=off-(on)							
6=(on)-off-(on)							
7=on-(off)							
8=on-off-(on)							
9=on-off (with lamp)							

Circuits for switch with lamp



Panel cut out

Z	Y	X
0.70~1.25	22.20~22.30	29.50~29.60
1.25~2.00	22.20~22.30	30.50~30.60
2.00~3.00	22.20~22.30	30.65~30.75



* UL File:
No.104190(S)
* VDE File:
No.103254