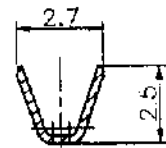
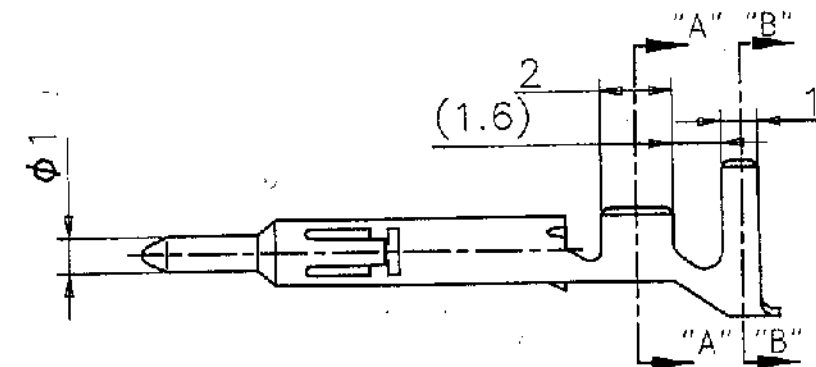
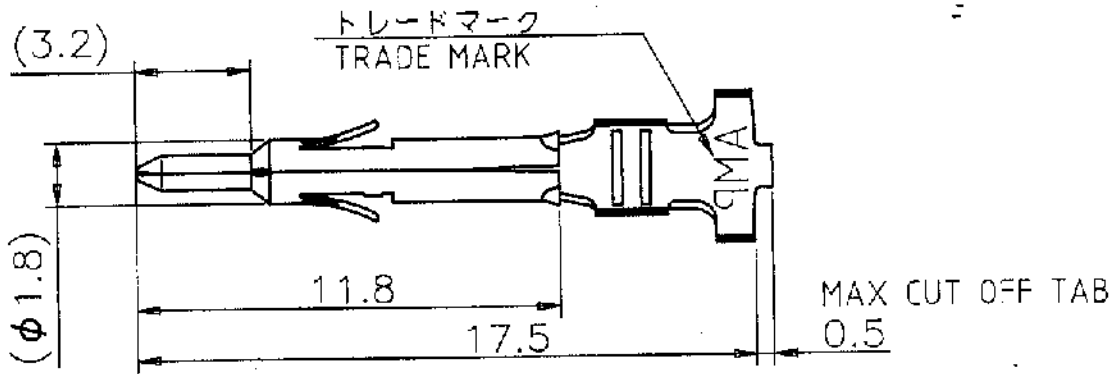
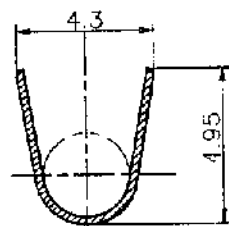


LOC	DIST	REVISIONS					
		P	LT/R	DESCRIPTION	DATE	DWN	APVD
		B1		REVISED PER ECO-11-005030	22MAR11	RK	HMR



SECT A-A



SECT B-B

注記)

1. 使用ハウジングはキャップ及びプラグ
2. 製品規格 108-5138, 108-5151
3. 取付適用規格 114-5050
4. 取扱説明書 411-5105

NOTES)

1. APPLICABLE HOUSING; CAP AND PLUG
2. PRODUCT SPECIFICATION 108-5138, 108-5151
3. APPLICATION SPECIFICATION 114-5050
4. INSTRUCTION SHEET 411-5105

171638-1  
型番 (PART NO.)

WIRE RANGE 線径範囲 0.5-1.3mm <sup>2</sup> AWG #20-16	INSULATION DIA 絶縁径 2.0-3.2mm DIA 2.4mm DIA X2
MATERIAL 材料 黄銅 (BRASS): 0.25t	FINISH 仕上 PRE-TIN

DIMENSIONS: 單位 MM	DWN <i>ADzh</i> 16 FEB 00
TOLERANCES UNLESS OTHERWISE SPECIFIED: 一般公差	CHK <i>M.S.L.</i> 16 FEB 00
± 0.3	APVD <i>M.S.L.</i> 16 FEB 00
ANGLES ± 1°	PRODUCT SPEC 製品規格 表参照 SEE TABLE 2
	APPLICATION SPEC 取付適用規格 表参照 SEE TABLE 3

MATERIAL 材料 黄銅 (BRASS): 0.25t		
FINISH 仕上 PRE-TIN		
SIZE	CAGE CODE	DRAWING NO
A4	00779	C-171638

**ETE** IE Connectivity

PIN (LOOSE PIECE)  
MINI UNIVERSAL MATE-N-LOK

RESTRICTED TO

SCALE 5:1 SHEET 1 OF 1 REV B1

CUSTOMER DRAWING

参考図面

THIS DRAWING IS UNPUBLISHED. ALL RIGHTS RESERVED. COPYRIGHT