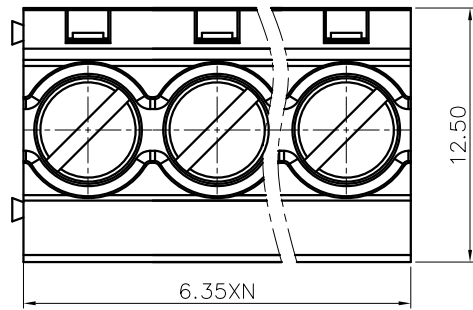
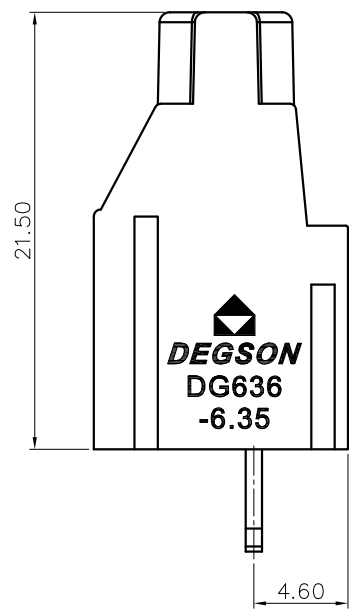
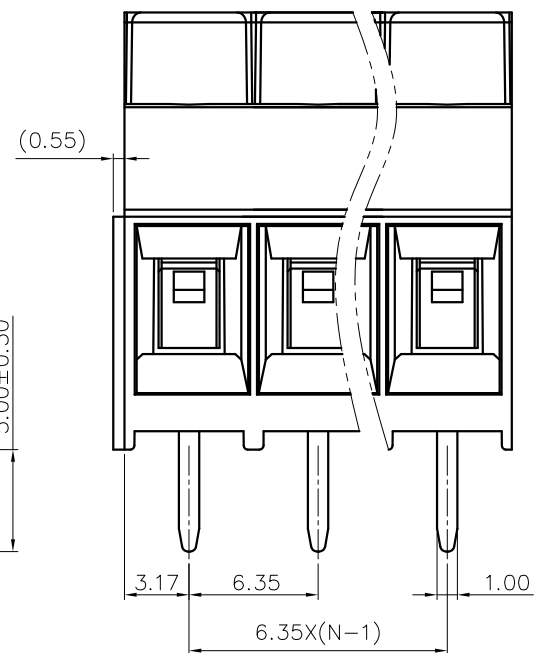
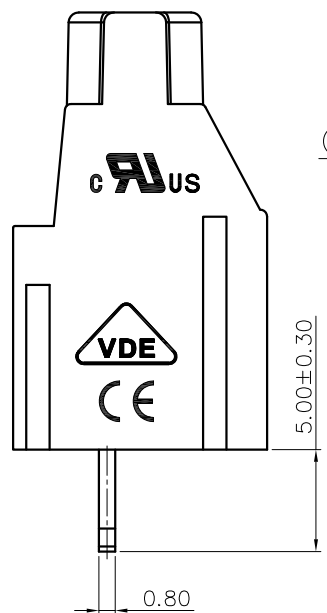


REVISION RECORD				
REV	ECN	DESCRIPTION	DRFT	DATE



DG636 - 6.35 - XXP - 1Y - 00A (H)  
 (Series No.) (Pitch) (Poles) (Single Pitch) (RoHS)  
 00A--(Standard)  
 (Color): 1.(Grey) 2.(Blue) 3.(Black) 4.(Green) 5.(Orange)  
 6.(Red) 7.(Transparent) 8.(Yellow) 9.(White)

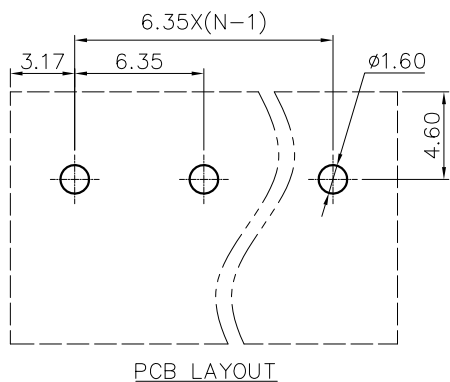


- NOTES1:
- UL Standard
  - 1.Rated voltage/current : 300V / 30A
  - 2.Torque value : M3 , 4.43Lb.in
  - 3.Wire range : 26~10AWG
- IEC Standard
- 1.Rated voltage/current : 450V / 24A
  - 2.Torque value : M3 , 0.5N·m
  - 3.Wire range : 1.5~4.0mm<sup>2</sup>

- NOTES2:
- 1.Dimension shall be interpreted per ASME Y14.5-2009
  - 2.Pitch : 6.35mm, Poles : N=02~24P
  - 3.Stripping length : 8mm
  - 4.Withstanding voltage : AC2500V/1Min.
  - 5.Operating temperature: -40°C~+105°C
  - 6.Undimensioned tolerances:

Pitch range in mm	Nominal dimension range in mm						-	R	D
	Over 6 TO 10	Over 10 TO 24	Over 30 TO 60	Over 60 TO 100	Over 100 TO 150	Over 150			
±0.15	±0.20	±0.30	±0.30	±0.50	±0.70	±1.00	±1.30	±2'	

7.RoHS Compliance



DETACHED LISTS	PART NO.:	/			
	APPD:	/			
	CHKD:	/			
	DRFT:	/			
		 THIRD ANGLE PROJECTION		 DO NOT SCALE DRAWING	
		DRAWING NO.: /		REV	DO
		SHEET 1/1		SCALE	1:1

宁波高松电子有限公司  
 NINGBO DEGSON ELECTRICAL CO., LTD

NAME: DG636-6.35-XXP-1Y-00A(H)

TITLE: CUSTOMER DRAWING

DRAWING NO.: /

MM (INCH)