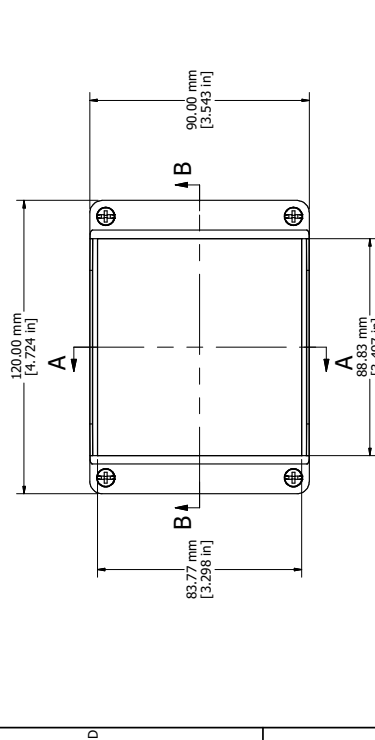
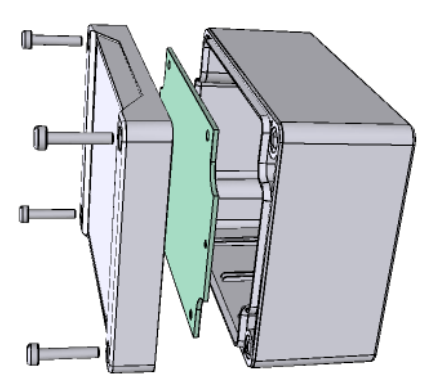
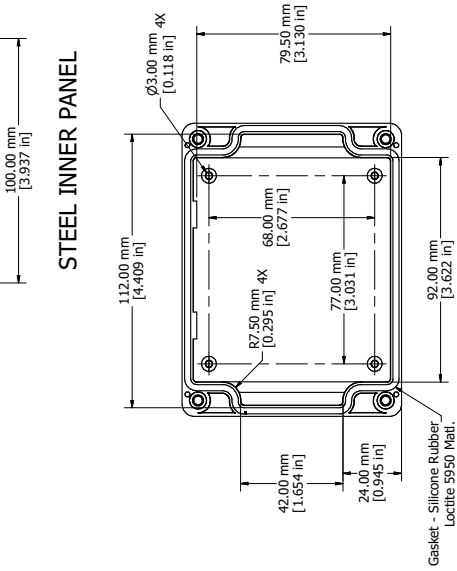
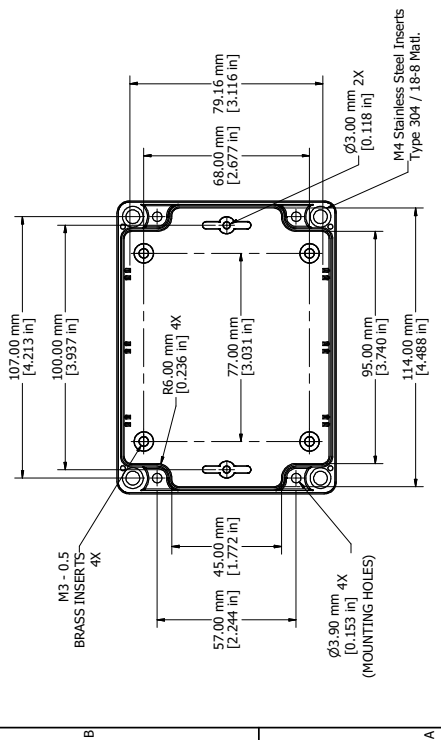
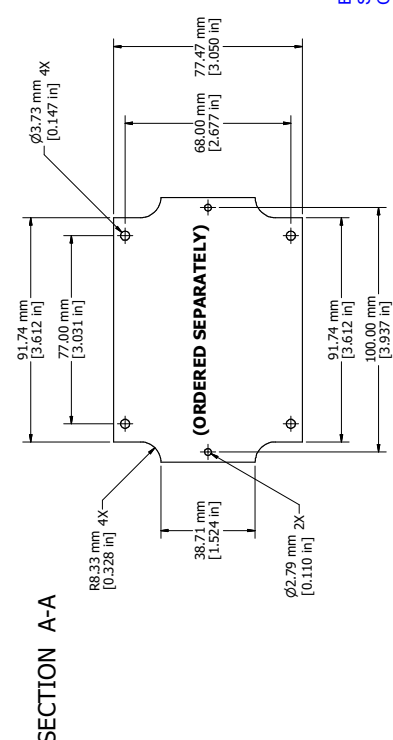
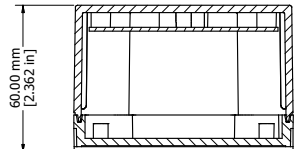


1 2 3 4 5 6 7 8



UL LISTED
 File #E65324
 NEMA 4, 4X



Enclosures can be Factory Modified (Milling, Drilling, Printing etc.)
 Solid models of this enclosure available in STEP or IGES.
 Contact Factory mjm@hammondmg.com

NOTE
 Purchased assembly includes box, lid, and 4 cover screws
 Cover screws should be torqued to 2.3 lbf-in (30 cN-m)
 Polycarbonate version is UL 508 approved

1555F Respirator Enclosure	
General Purpose ABS RAL-7035 UL94 -HB	1555FGY
Polycarbonate RAL-7035 UL94 - V0 / 5VA @ 3mm	1555F2GY
ACCESSORIES	
Heavy Duty 16 Gauge Galvanized Steel Panels	1554FPL
Steel Panel / P.C. Board Machine Screw (M3 x 8mm Nickel Plated)	1591MM100
Steel Panel / P.C. Board Self Tapping Screw (#6 X 1/4" (6.4mm) Nickel Plated)	1598ATS100
Cover Screws (Pkg 4)	SC1554
[M4 X 20mm Type 304 Stainless Steel]	

