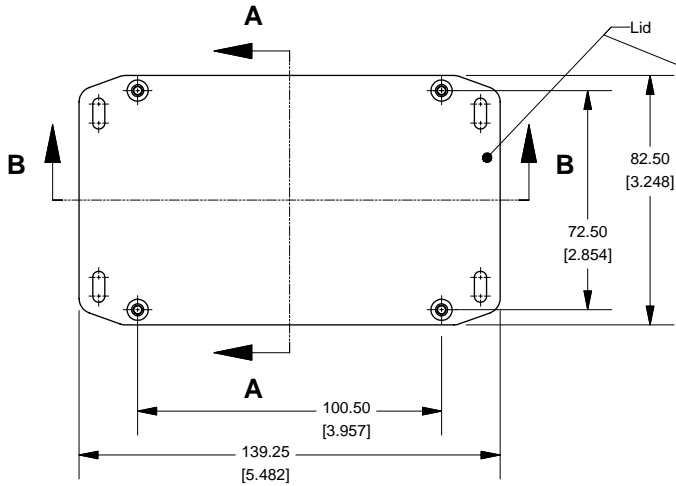
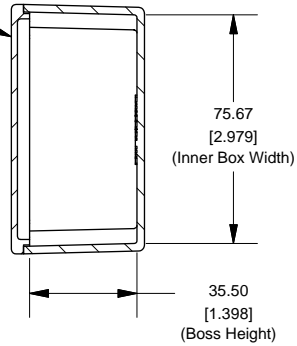


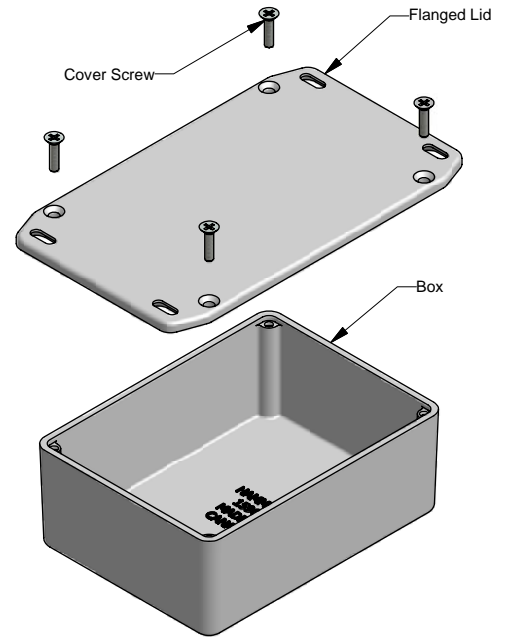
Top View of Assembly



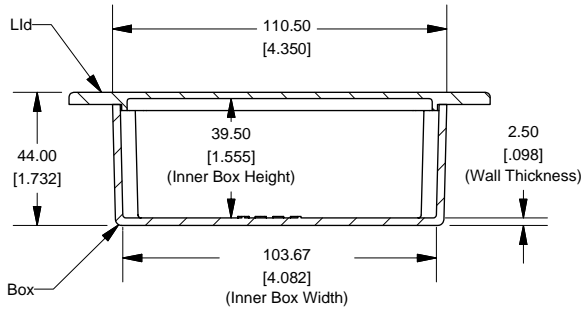
SECTION A-A
End View of Assembly



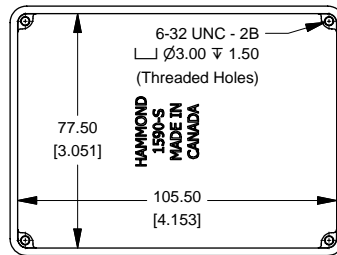
Series 1590SFL (Flanged Lid)



SECTION B-B
Side View of Assembly



Top View Looking Inside Box



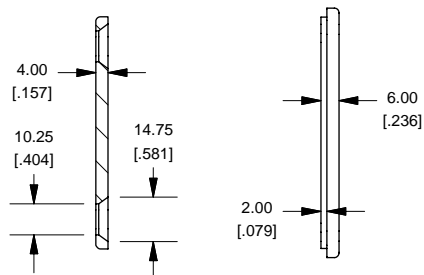
NOTE

Purchased assembly includes box, lid and 4 cover screws.
Box and lid are made from Diecast Aluminum Alloy (alloy type 360.1).

PART NUMBERS

1590SFL Enclosure	
Unfinished	1590SFL
Black Textured Powder Paint	1590SFLBK
1590SFL Liquid Resistant Enclosure (Silicon Factory Installed Gasket)	
Unfinished	1590WSFL
Black Textured Powder Paint	1590WSFLBK
ACCESSORIES	
Unfinished	
Cover Screws (Pkg 100) [6-32 x 1/2" Nickel Plated Screws]	1590MS100
Black Textured Powder Paint	
Cover Screws (Pkg 50) [6-32 x 1/2" Stainless Steel Black Screws]	1590MS50BK

SECTION C-C
Side View of Slot



Lid

