

LOCK SWITCH

LS120

LS121

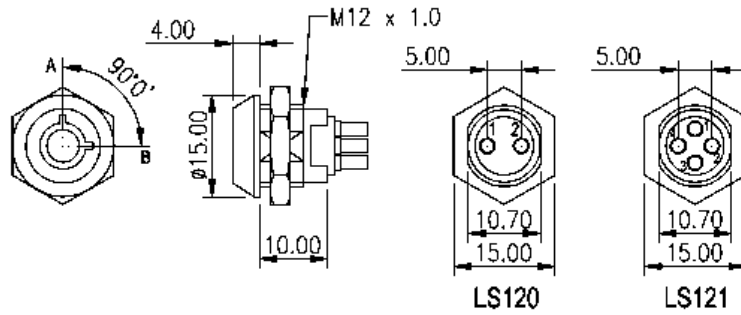
LS120 LS121 LOCK SWITCH

ELECTRICAL & MECHANICAL SPECIFICATION

Switch Rating:	1A @ 240V ac 2A @ 125V ac	Life	>10.000
Note -	Not mains isolating	Operating Temperature:	-20°C to +65°C
Proof Voltage	1000V ac (Initial)	Insulation Resistance:	>500MΩ @ 500V dc (Initial)
		Contact Resistance:	>10mΩ (Initial)

FEATURES

Single pole single throw LS120	Radial cylinder with 7 pin tumblers	Same key only
Double pole single throw LS121	Bright chrome plated zinc alloy die cast housing	Key inserted / removed in both positions
Front panel mount	Tapered lock head	90° indexing



ORDERING CODE

ORDERING CODE	TERMINALS	KEY FREE	KEY TRAVEL	CONTACT POSITION
LS120A	2	2	90°	
LS120B	2	2	90°	
LS121	4	2	90°	

PANEL PIERCING DETAILS

