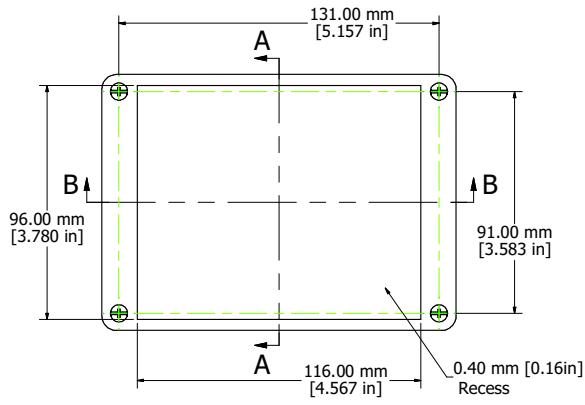
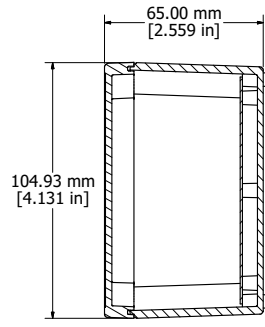


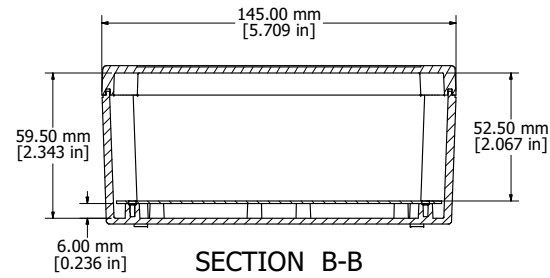
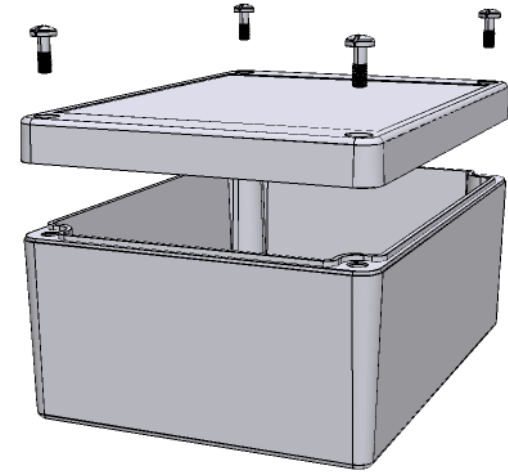
8 | 7 | 6 | 5 | 4 | 3 | 2 | 1



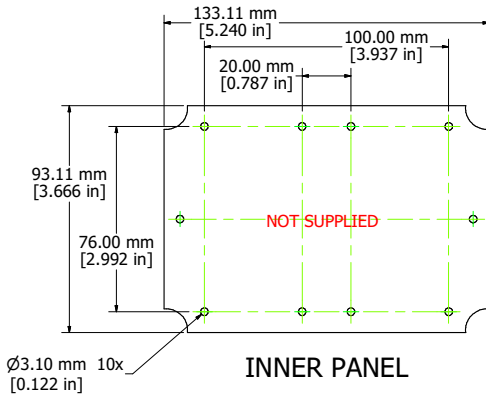
ASSEMBLY - TOP



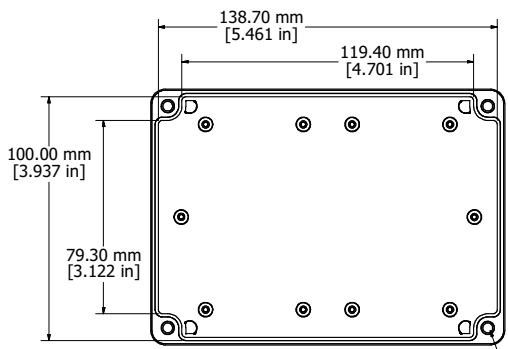
SECTION A-A



SECTION B-B

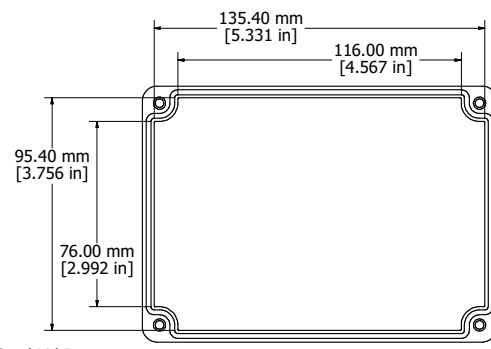


INNER PANEL



BOX - INSIDE

M3.5 Stainless Steel Lid Insert  
Type 304 Stainless 4X



LID - INSIDE

Enclosures can be Factory Modified ( Milling, Drilling, Printing etc. )  
Contact Factory [mjm@hammondmfg.com](mailto:mjm@hammondmfg.com) for quotes  
Solid models of this enclosure available in STEP or IGES.

<b>RP1215</b>
Material: ABS (UL94-HB), Light Gray Color
Lid Screws: M3.5 x 10, 304 Stainless
Gasket: EDPM Cord.
Circuit Board Screws Supplied (M3 self tap)
Suggested Lid Screw Torque: 30 ozf-in (21 cN-m)

**HAMMOND  
MANUFACTURING™**

**RP1215**

[www.hammondmfg.com](http://www.hammondmfg.com)

8 | 7 | 6 | 5 | 4 | 3 | 2 | 1