

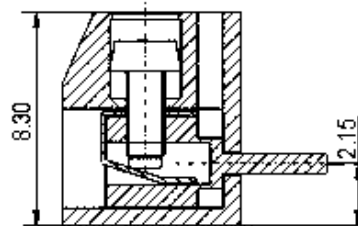
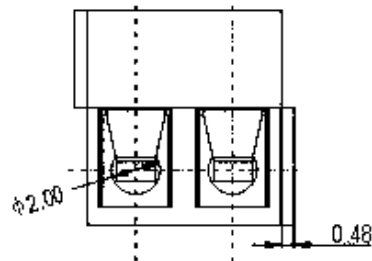
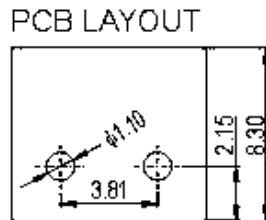
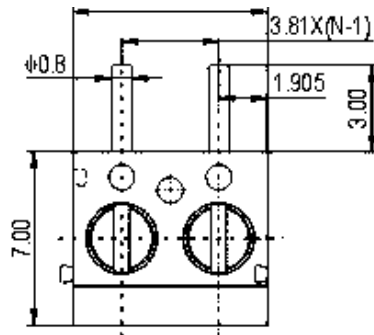


# DEGSON ELECTRONICS CO., LTD.

## Product Specification



**DG340R-3.81**



<b>APPROVAL</b>		
<b>Electrical</b>		
Standard	<b>UL</b>	<b>IEC</b>
Rated voltage	300V	130V
Rated current	7A	10A
Wire range	24-18AWG	1.0mm <sup>2</sup>
Withstanding voltage	AC1250V/1Min	
<b>Menchanical</b>		
torque	0.2Nm(1.7Lb-In)	
Ambient temperature	-40°C~+105 °C	
Strip length	5-6mm	
<b>Dimensions</b>		
pitch	3.81mm(.150" )	
Poles	2P,3P-24P	
<b>Material</b>		
Housing	PA66,UL94V-0	
Screws	M2,steel, Cr <sup>3+</sup> Zn-plated	
Pin header	Brass,Tin plated	
Wire guard	Phosphor bronze	

### HOW TO ORDER :

**DG340R-3.81** -   **P** -   - 

X	X	X
Customer Request		

Series number: DG340R-3.81  
 No. of pole: 

1	Single pitch
2	Double pitch

  
 Color: 

1	Grey	4	Green	7	Trans Parent
2	Blue	5	Orange	8	Yellow
3	Black	6	Red	9	White

	<b>DEGSON ELECTRONICS CO., LTD.</b>
	<b>NAME</b> <b>DG340R-3.81</b>