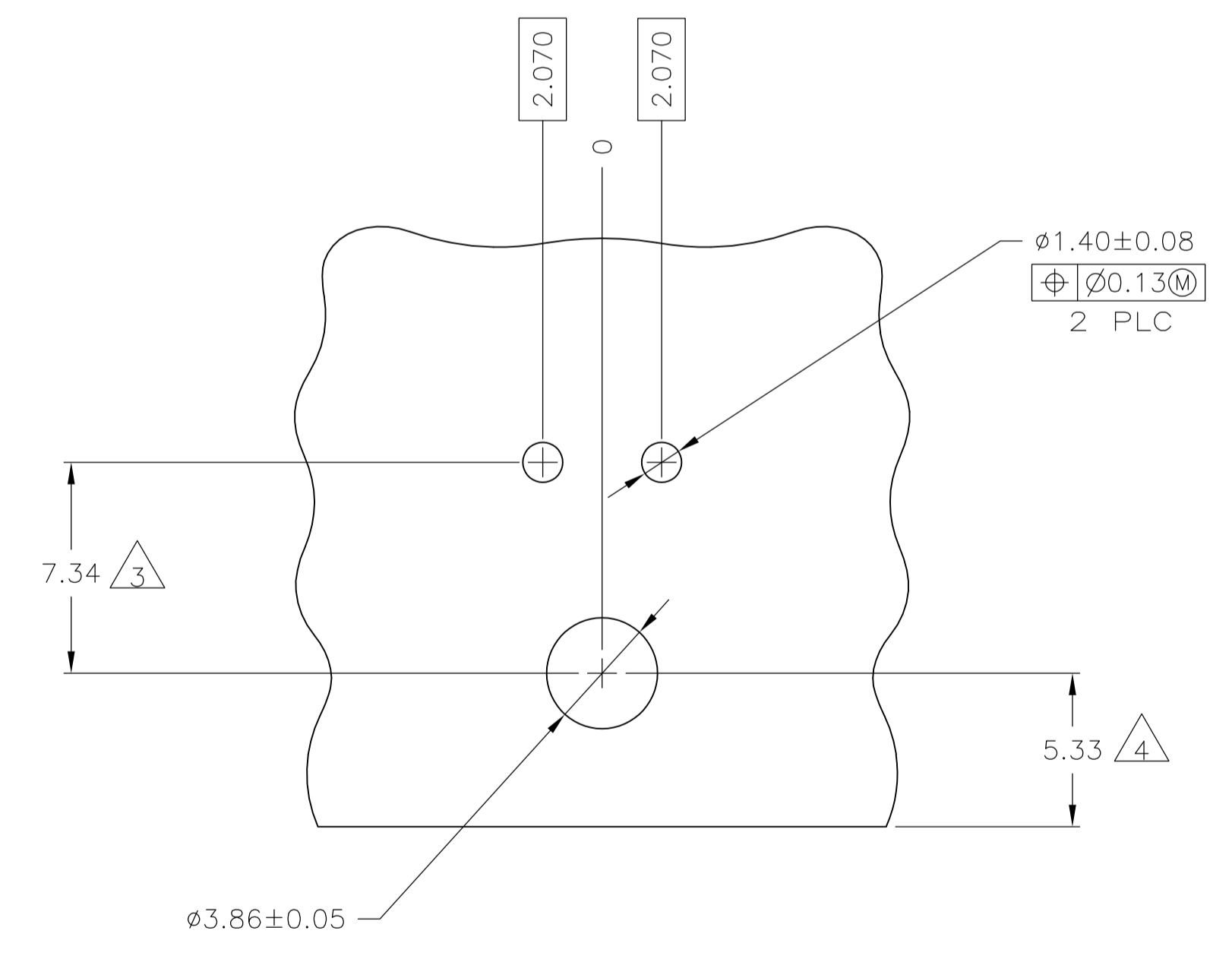
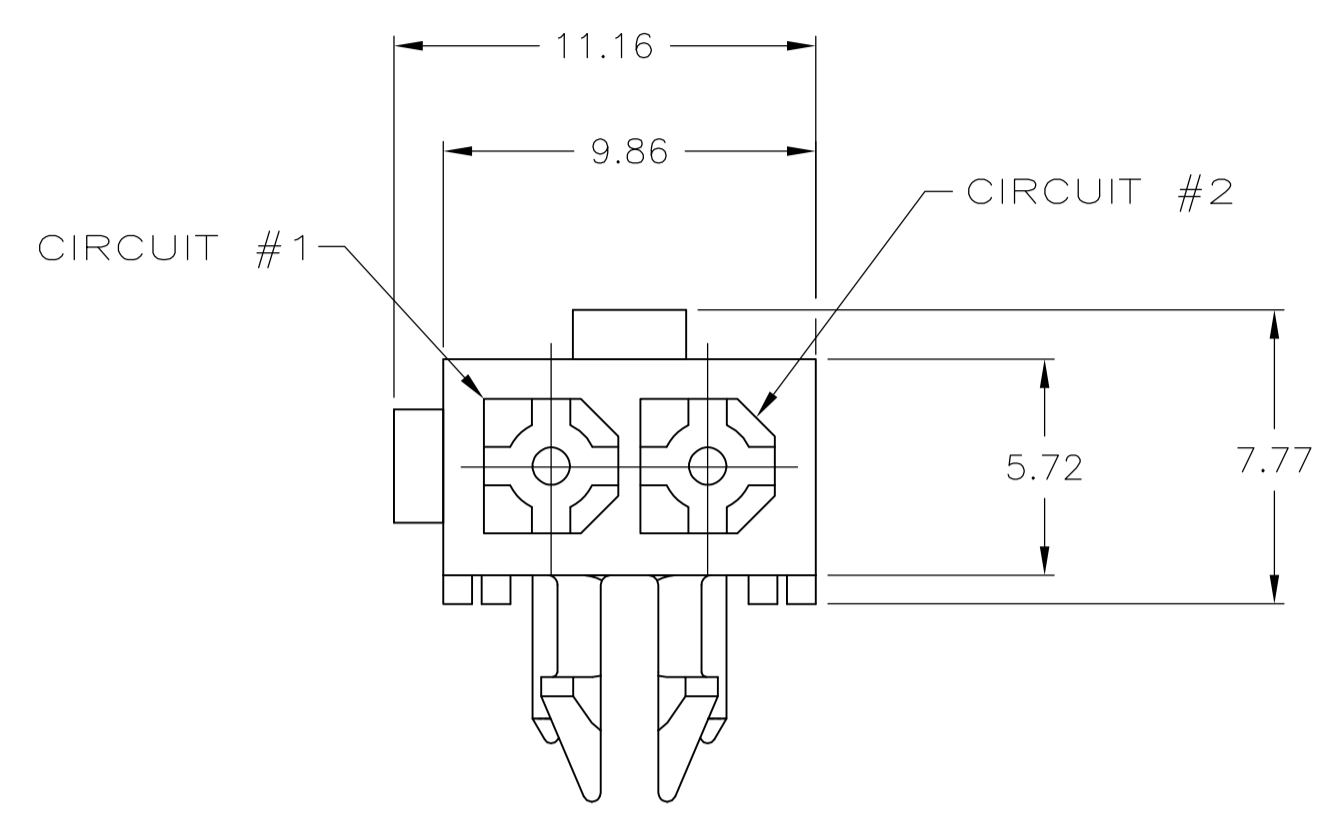
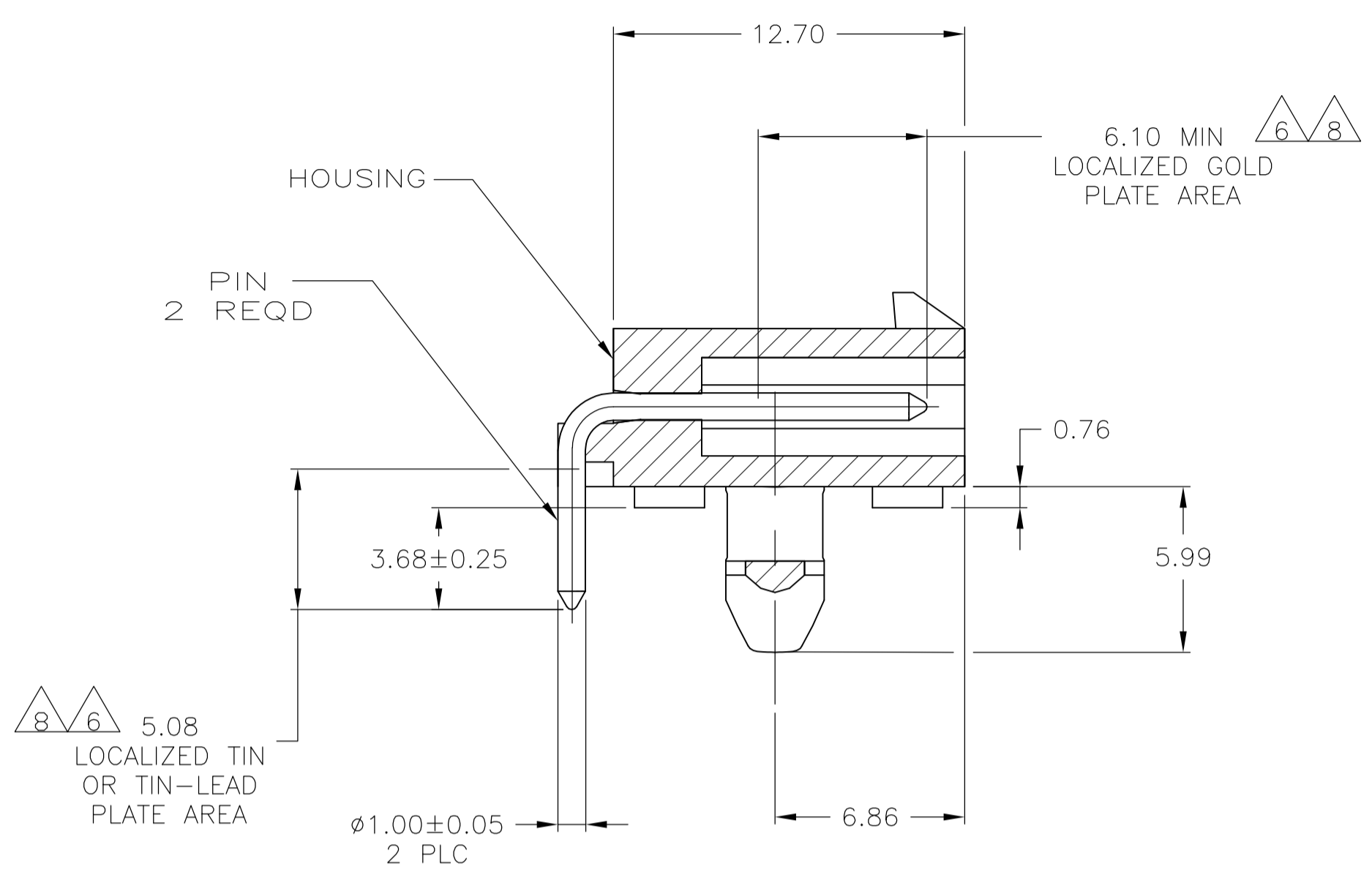


LOC		DIST		REVISIONS			
P	LTR	DESCRIPTION	DATE	DMN	APVD		
F1		REVISED PER ECO-11-004587	11MAR11	RK	HMR		



RECOMMENDED MOUNTING HOLE PATTERN FOR 1.57 THICK P.C. BOARD

- PINS TO COMPLY WITH AMP SOLDERABILITY SPEC 109-11-3.
- MATES WITH PLUG P/N 172165-1.
- COORDINATE DIMENSION APPLIES FROM CENTER OF ACTUAL FEATURE.
- RECOMMENDED FOR EDGE MOUNTING.
- 0.00381 MIN MATTE TIN LEAD OVER 0.00127 MIN NICKEL ENTIRE LENGTH OF PIN.
- 0.00076 MIN GOLD PLATE IN THE LOCALIZED PLATE AREA, 0.00381 MIN MATTE TIN LEAD IN THE LOCALIZED PLATE AREA, BOTH OVER 0.00127 MIN NICKEL.
- 0.00381 MIN MATTE TIN OVER 0.00127 MIN NICKEL ENTIRE LENGTH OF PIN.
- 0.00076 MIN GOLD PLATE IN THE LOCALIZED GOLD PLATE AREA, 0.00381 MIN MATTE TIN IN THE LOCALIZED TIN PLATE AREA, BOTH OVER 0.00127 MIN NICKEL.

MM	IN	MM	IN
2.070	.0815	-	-
1.57	.062	12.70	.500
1.40	.055	9.86	.388
1.00	.039	7.34	.289
0.76	.030	6.86	.270
0.25	.010	6.10	.240
0.13	.005	5.99	.236
0.08	.003	5.72	.225
0.05	.002	5.33	.210
0.00381	.000150	5.08	.200
0.00127	.000050	3.86	.152
0.00076	.000030	3.68	.145

MATERIAL	FINISH	MATERIAL	COLOR	PART NO.
BRASS	8	NYLON, UL94V-0	WHITE	1-770966-1
BRASS	7	NYLON, UL94V-0	WHITE	1-770966-0
BRASS	6	NYLON, UL94V-0	WHITE	770966-2
BRASS	5	NYLON, UL94V-0	WHITE	770966-1

THIS DRAWING IS A CONTROLLED DOCUMENT.

DIMENSIONS: mm
 TOLERANCES UNLESS OTHERWISE SPECIFIED:
 0 PLC ± -
 1 PLC ± -
 2 PLC ± -
 3 PLC ± 0.13
 4 PLC ± -
 ANGLES ± -

MATERIAL: SEE TABLE
 FINISH: SEE TABLE

THIS DRAWING IS A CONTROLLED DOCUMENT.
 DWG: S. CARPENTER 24JUL2003
 CHK: C. JONES 24JUL2003
 APVD: C. JONES 24JUL2003
 PRODUCT SPEC: -
 APPLICATION SPEC: -
 WEIGHT: -
 CUSTOMER DRAWING

NAME: HEADER ASSEMBLY, RIGHT ANGLE, WITH SHORT PEG, 2 CIRCUIT, MINI UNIVERSAL MATE-N-LOK(TM)
 SIZE: A1
 CAGE CODE: 00779
 DRAWING NO: 770966
 RESTRICTED TO: -
 SCALE: 5:1
 SHEET: 1 OF 1
 REV: F1

