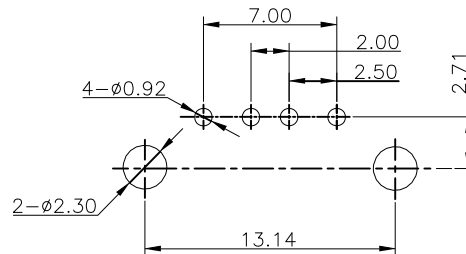
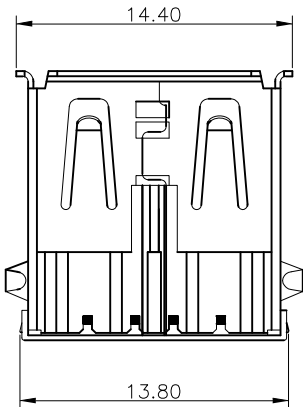
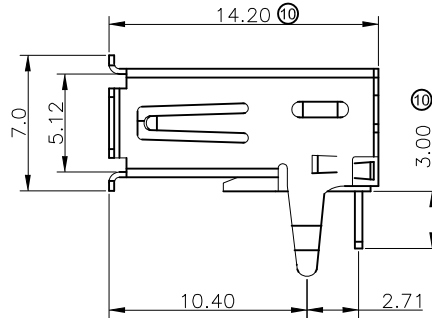
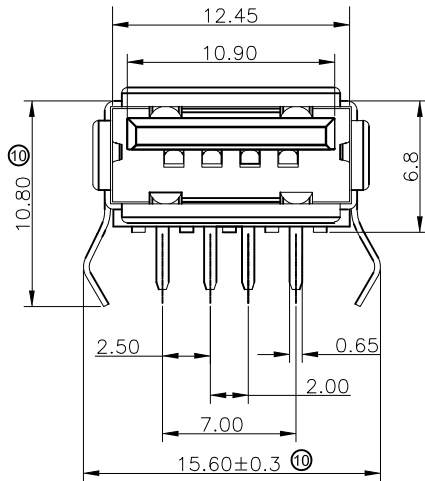


**⑩⑨ USB 2.0 COMPLIANT**



RECOMMENDED P.C.B LAYOUT  
(TOLERANCE: ±0.05)

**NOTES:**

1. Material:
  - 1.1 Housing: PBT+30%GF UL94V-0, Color Black
  - 1.2 Shell: Brass
  - 1.3 Contact :Phosphor Bronze
2. FINISH:
  - 2.1 Contact Area: Gold Flash
  - Solder Area: Tin Plated
  - Under: Ni Plated
3. MECHANICAL:
  - 3.1 Mating Force: 3.57kgf Max.
  - 3.2 Unmating Force: 1.02kgf Min
  - 3.3 Durability: 1500 cycles Min
4. ELECTRICAL:
  - 4.1 Current Rating: 1.5A
  - 4.2 Dielectric Strength: 500V AC FOR 1 MINUTE
  - 4.3 Contact Resistance: 30mΩ Max
  - 4.4 Insulation Resistance: 1000 MΩ Min
5. Operating temperature: -55°C TO +85°C
6. PACKING: Tray

**RoHS compliant**

Unit: mm

Scale	Free	⑩	Update to "USB 2.0 COMPLIANT"	19.08.2013	Amy		Date	Name	Customer-No.	
TOLERANCE		⑩	Update	07.06.2013	Winnie	Drawn	16.05.2007	Hellwig	ASSMANN WSW-No. <b>A-USBSA</b>	
X.X	±0.30	⑨	Add "USB 2.0"	18.02.2013	Amy	Approved	19.08.2013	Amy		
X.XX	±0.20	⑧	Plant change and tiny appearance diff.	02.05.2011	Lucas					
X.XXX	±0.10	⑦	Add the mating drawing	25.06.2011	Rale					
DIM	TOL	⑥	Compled numbering	07.06.2011	N.Schulz				Drawing-No.	
ANG.	±1°								<b>ASS 1122C CO</b>	rev11
Angle	TOL	Id.	Modification	Date	Name				Replace	Sheet