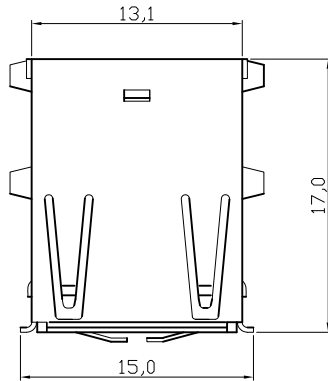
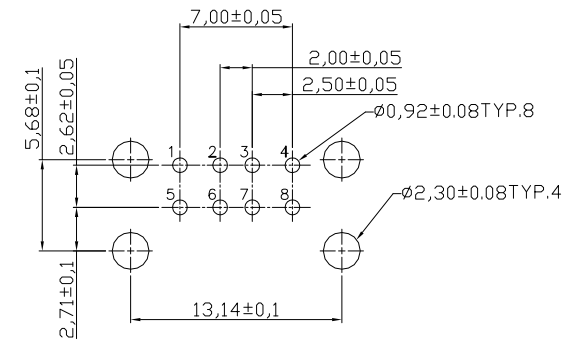
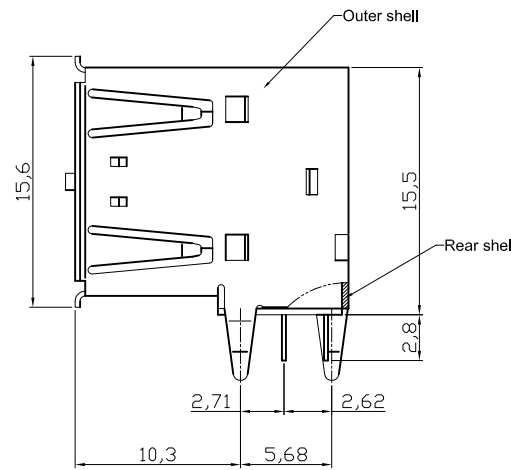
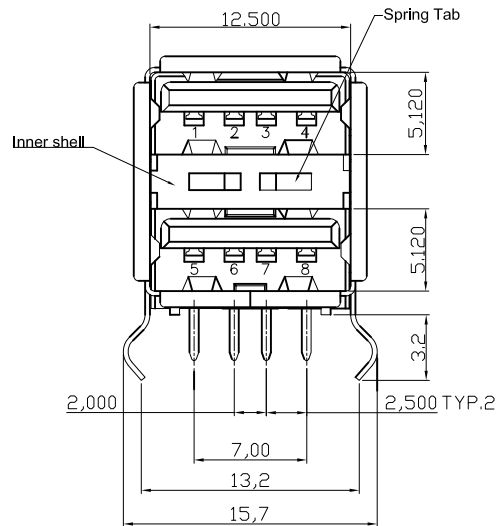


USB 2.0 COMPLIANT



NOTES:

1. Insulation: Glass Filled polyester UL94V-0, Color Black
2. Contact :Phosphor Bronze
3. Outer & Inner shell : Brass
4. Plating : A-USB A-2P-C Selective Gold flash over 50u" Nickel
④ A-USB A-2P-C/30 Selective 30u" Gold over 50u" Nickel
5. Shell Plating: 80u" Nickel over 100u" Cu
6. Rear Shell: Steel with Nickel plated



Recommended PCB Layout

RoHS compliant
Unit: mm

Scale	Free						Date	Name	Customer-No.
TOLERANCE							Drawn	30.05.2007	Hellwig
.X	±0.30								
.XX	±0.20	④	Add 30u" gold version	03.07.2014	Amy	Approved	03.07.2014	Amy	ASSMANN WSW-No. A-USB A-2P-C ④ A-USB A-2P-C/30
.XXX	±0.10	③	Modify Insulator color to Black	07.07.2009	Dean				
DIM	TOL	②	Re-draw	06.08.2008	Hellwig				Drawing-No.
		①	Drawn	30.05.2007	Hellwig				ASS 1360A CO
X.°	±1°								rev04
Angle	TOL	Id.	Modification	Date	Name			Replace	SHEET



ASS 1360A CO rev04

Replace SHEET