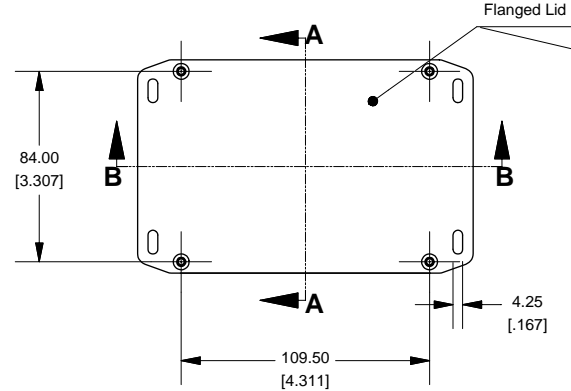
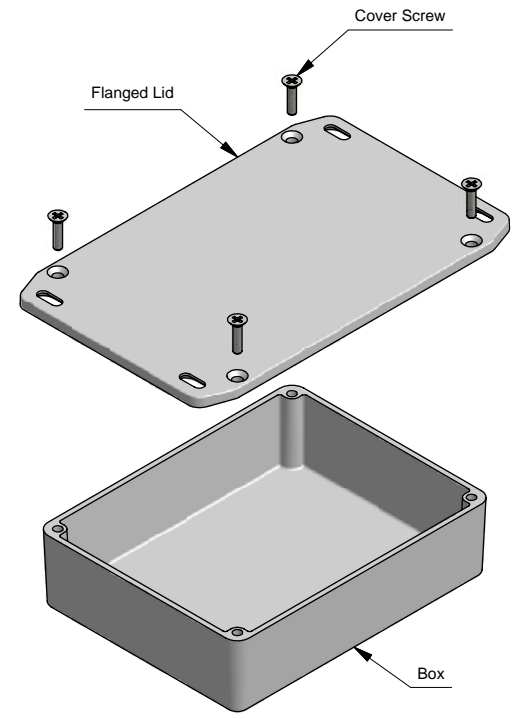
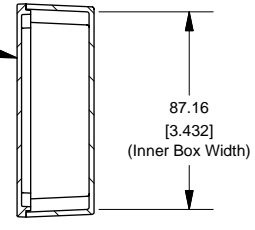


# Series 1590BBFL (Flanged Lid)

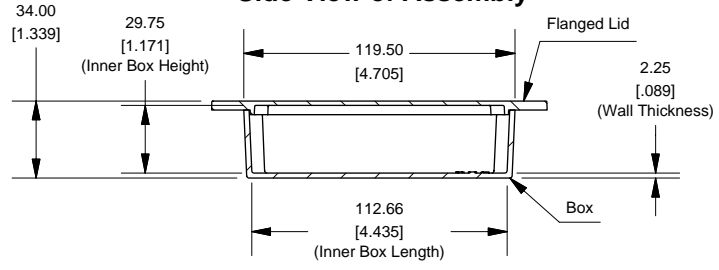
### Top View of Assembly



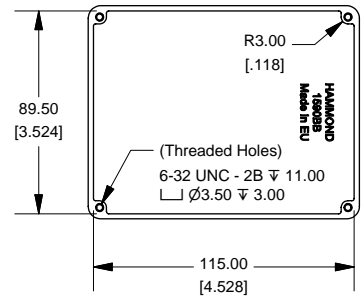
### SECTION A-A End View of Assembly



### SECTION B-B Side View of Assembly



### Top View Looking Inside Box



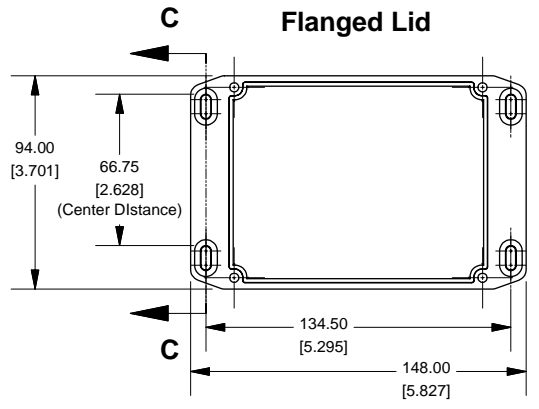
### NOTE

Purchased assembly includes box, lid and 4 cover screws.  
Box and lid are made from Diecast Aluminum Alloy (alloy type 360.1).

### PART NUMBERS

1590BBFL Enclosure	
Unfinished	1590BBFL
Black Textured Powder Paint	1590BBFLBK
1590BBFL Liquid Resistant Enclosure (Silicon Factory Installed Gasket)	
Unfinished	1590WBBFL
Black Textured Powder Paint	1590WBBFLBK
ACCESSORIES	
Unfinished	
Cover Screws (Pkg 100) [6-32 x 1/2" Nickel Plated Screws]	1590MS100
Black Textured Powder Paint	
Cover Screws (Pkg 50) [6-32 x 1/2" Stainless Steel Black Screws]	1590MS50BK

### Flanged Lid



### SECTION C-C Side of Slot

