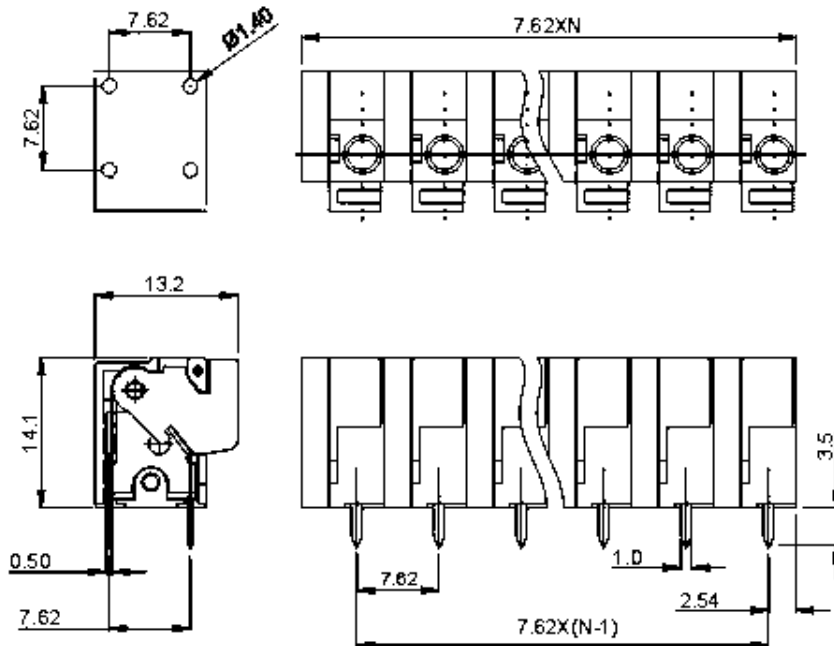




PCB LAYOUT



<b>Approval</b>	 	
<b>Electrical</b>		
<b>Standard</b>	<b>UL</b>	<b>IEC</b>
Rated voltage	300V	450V
Rated current	10A	15A
Wire range	22-16AWG	0.2-1.5mm <sup>2</sup>
Withstanding voltage	AC2500V/1Min	
<b>Mechanical</b>		
Ambient temperature	-40°C ~ +105 °C	
Strip length	10mm	
<b>Dimensions</b>		
Pitch	7.62mm (.300" )	
Poles	1P-XXP	
<b>Material</b>		
Housing	PA66, UL94V-0	
Pin header	Brass, Tin plated	
Wire guard	Stainless steel	

### HOW TO ORDER :

-  **P** -  - 

X	X	X
---	---	---

  
Customer Request

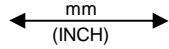


Series number

No. of pole

1	Single pitch
2	Double pitch

#### Color

1 Grey	4 Green	7 Trans Parent
2 Blue	5 Orange	8 Yellow
3 Black	6 Red	9 White

	 <b>DEGSON ELECTRONICS CO., LTD.</b>
	<b>NAME</b> <b>DG142V-7.62</b>