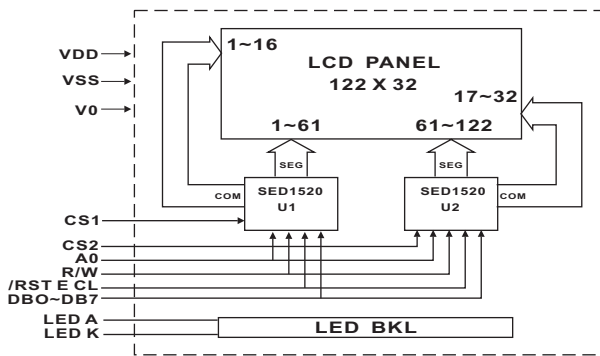


BLOCK DIAGRAM



FEATURE

1. 122X32 dots graphic LCD module
2. Built-in controller (SED1520DAA)
3. +5V power supply
4. STN LCD panel, 1/32 duty cycle

MECHANICAL SPECIFICATIONS

DOT NUMBER	122W X 32H	—
OVERALL SIZE	84.00W X 44.00H	mm
VIEWING AREA	64.00W X 17.90H	mm
HOLE - HOLE	76.00W X 36.00H	mm
DOT SIZE	0.40W X 0.45H	mm
DOT PITCH	0.04W X 0.04H	mm

PIN ASSIGNMENT

PIN	SYMBOL	FUNCTION
1	Vss	GND
2	Vdd	Power Supply
3	V0	Contrast Adjust
4	A0	H/L H:Data L:Instruction code
5	CS1	Chip enable signal
6	CS2	Chip enable signal
7	CL	Clock input (2KHz)
8	E	Enable Signal
9	R/W	H/L Read/write
10 to 17	DB0 to DB7	H/L Data bus line
18	RST	H/L Reset signal
19(A)	LED+	Power supply for BKL(+)
20(K)	LED-	Power supply for BKL(-)

ABSOLUTE MAXIMUM RATINGS

ITEM	SYMBOL	MIN	MAX	UNIT
POWER SUPPLY (LOGIC)	Vdd	-0.3	7.0	V
POWER SUPPLY (LCD)	V0	Vdd-13.5	Vdd+0.3	V
INPUT VOLTAGE	Vin	-0.3	Vdd+0.3	V

ELECTRONICAL CHARACTERISTICS

ITEM	SYMBOL	CONDITION	STANDARD			UNIT
			MIN	TYP	MAX	
Input voltage	Vdd	+5V	3.0	5.0	5.5	V
Supply current	Idd	Vdd=5V	---	1.0	---	mA
Recommended LCD driving voltage for normal temp version module	Vdd-V0	0 °C	---	4.8	---	V
		25 °C	---	4.6	---	
		50 °C	---	4.4	---	
LED forward voltage	V _F	25 °C	---	4.2	4.5	V
LED forward current	I _F	25 °C	---	120	---	mA