

GENERAL ELECTRICAL & MECHANICAL SPECIFICATION

| | |
|-----------------------------|-----------------------------|
| Switch Rating: | 1A @ 115Vac |
| (Switching Resistive load): | |
| No Mains Isolation | 1A @ 24Vdc |
| Current Carrying Capacity | 5A non switching |
| Life: | >10,000 Cycles |
| Operating Temperature: | -20°C to +65 °C |
| Proof Voltage: | 750 Vdc (Initial) |
| Insulation Resistance: | >999 MΩ at 500Vdc (Initial) |
| Contact Resistance: | <20 mΩ (Initial) |
| Lock Type: | 5 Disc |
| Std. Qty. of Keys per Lock: | 2 Mild Steel Ni Plated |
| Contact Material: | Brass CZ108 Ag Plated |
| Moulding Material: | Polyamide 6.6 G.F. V0 Rated |
| Lock Housing: | Zinc Alloy Bright Cr Plated |

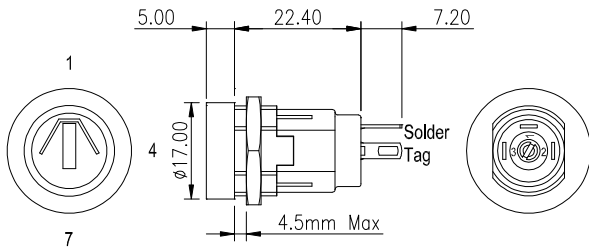


GENERAL FEATURES

- Made in UK.
- Miniature key-operated Lock switch.
- Single or Double pole
- Up to 200 key combinations – keys to differ.
- Common keys available – keys to pass.
- Keys are double entry (they can be inserted into the lock either way up).
- Occupies small panel area.
- Easily assembled through front of equipment panel.
- Rear projection less than 30mm from panel.
- Optional Extras :
 - Moulded bezel for parallel lock headed versions (SRL 02101).

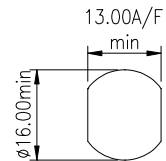
SINGLE POLE LOCK SWITCH

Parallel Lock Head 90° Indexing



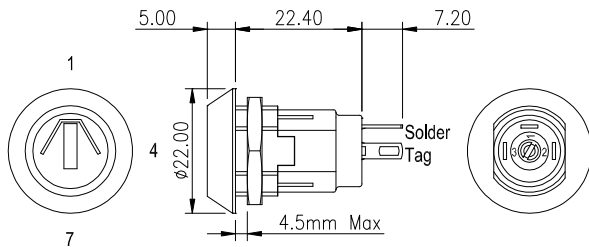
Key Withdrawal Positions

PANEL PIERCING DETAILS



SINGLE POLE LOCK SWITCH

Tapered Lock Head 90° Indexing



Key Withdrawal Positions

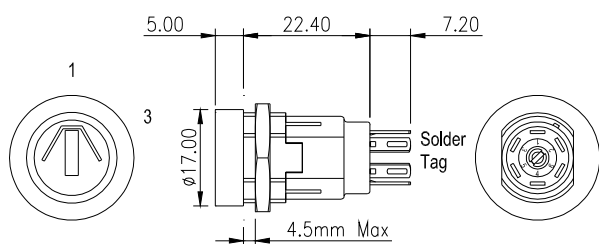
| BASIC PART No. | TOTAL MOVEMENT | INDEXING | KEY WITHDRAWAL POSITIONS | SWITCH CONFIGURATION |
|----------------|----------------|----------|--------------------------|----------------------|
| SRL-5-A | 90° | 90° | 1,4 | |
| SRL-5-B | 90° | 90° | 1 ONLY | |
| SRL-5-C | 180° | 90° | 1,4,7 | |
| SRL-5-N | 180° | 90° | 1,4,7 | |

| BASIC PART No. | TOTAL MOVEMENT | INDEXING | KEY WITHDRAWAL POSITIONS | SWITCH CONFIGURATION |
|----------------|----------------|----------|--------------------------|----------------------|
| SRL-5-D | 90° | 90° | 1,4 | |
| SRL-5-E | 90° | 90° | 1 ONLY | |
| SRL-5-F | 180° | 90° | 1,4,7 | |
| SRL-5-P | 180° | 90° | 1,4,7 | |

SRL LOCK SWITCHES

DOUBLE POLE LOCK SWITCH

Parallel Lock Head 60° Indexing

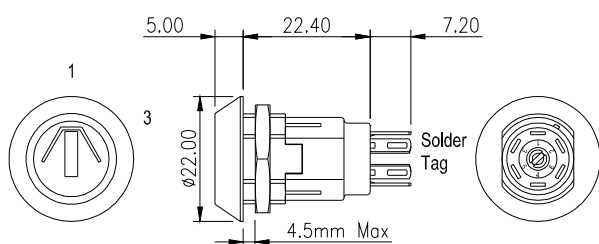


Key Withdrawal Positions

| BASIC PART No. | TOTAL MOVEMENT | INDEXING | KEY WITHDRAWAL POSITIONS | SWITCH CONFIGURATION |
|----------------|----------------|----------|--------------------------|----------------------|
| SRL-5-J | 60° | 60° | 1,3 | 1—2 3—5 |
| SRL-5-K | 60° | 60° | 1 ONLY | 4—5 6—6 |

DOUBLE POLE LOCK SWITCH

Tapered Lock Head 60° Indexing

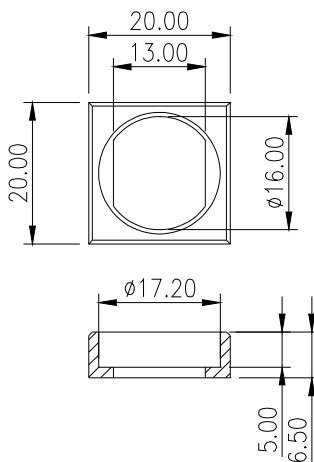


Key Withdrawal Positions

| BASIC PART No. | TOTAL MOVEMENT | INDEXING | KEY WITHDRAWAL POSITIONS | SWITCH CONFIGURATION |
|----------------|----------------|----------|--------------------------|----------------------|
| SRL-5-L | 60° | 60° | 1,3 | 1—2 3—5 |
| SRL-5-M | 60° | 60° | 1 ONLY | 4—5 6—6 |

OPTIONAL EXTRAS

Moulded Bezel for Parallel Lock Headed Versions



SUPPLIED LOOSE: ORDERING CODE SRL 02101

SRL LOCK SWITCH ORDER CODE

