

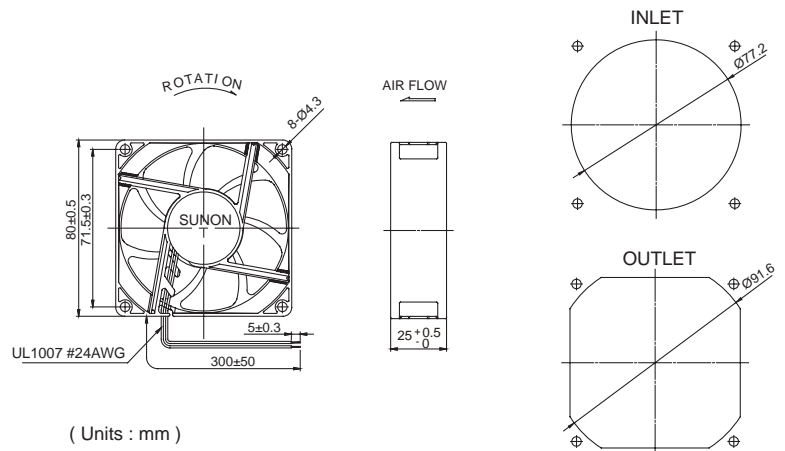
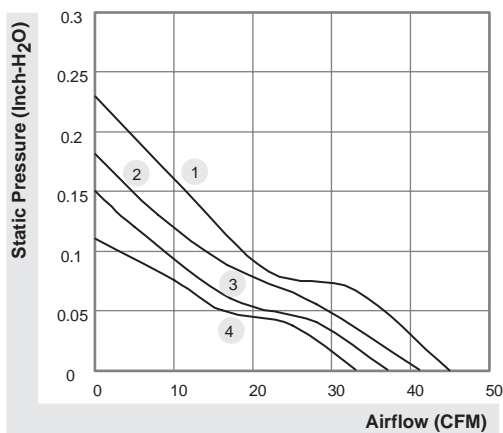
80x80x25 mm

33~45 CFM



	Bearing	Rating Voltage (VDC)	Power Current (AMP)	Power Consumption (WATTS)	Speed (RPM)	Air Flow (CFM)	Static Pressure (Inch-H ₂ O)	Noise (dBA)	Weight (g)	Curve
	● VAPO									
ME80251VX-0000-A99	●	12	0.160	1.92	3600	45	0.23	37.0	81	1
ME80251V1-0000-A99	●	12	0.145	1.70	3200	41	0.18	33.0	77	2
ME80251V2-0000-A99	●	12	0.120	1.40	2900	37	0.15	30.0	75	3
ME80251V3-0000-A99	●	12	0.081	1.10	2600	33	0.11	28.0	75	4
ME80252VX-0000-A99	●	24	0.090	2.16	3600	45	0.23	37.0	81	1
ME80252V1-0000-A99	●	24	0.073	1.80	3200	41	0.18	33.0	75	2
ME80252V2-0000-A99	●	24	0.059	1.40	2900	37	0.15	30.0	75	3
ME80252V3-0000-A99	●	24	0.049	1.20	2600	33	0.11	28.0	75	4

Model		(VDC)	(AMP)	(WATTS)	(RPM)	(CFM)	(Inch-H ₂ O)	(dBA)	(g)	Curve
EE80251BX-0000-A99	⊕	12	0.150	1.80	3600	45	0.23	38.0	89	1
EE80251B1-0000-A99	⊕	12	0.145	1.74	3200	41	0.18	33.0	75	2
EE80251B2-0000-999	⊕	12	0.120	1.40	2900	37	0.15	30.0	75	3
EE80251B3-0000-999	⊕	12	0.090	1.10	2600	33	0.11	28.0	74	4
EE80252BX-0000-A99	⊕	24	0.080	1.92	3600	45	0.23	38.0	89	1
EE80252B1-0000-A99	⊕	24	0.073	1.80	3200	41	0.18	33.0	75	2
EE80252B2-0000-999	⊕	24	0.064	1.50	2900	37	0.15	30.0	75	3
EE80252B3-0000-999	⊕	24	0.050	1.20	2600	33	0.11	28.0	75	4
EE80251S1-0000-A99	○	12	0.145	1.70	3200	41	0.18	33.0	75	2
EE80251S2-0000-999	○	12	0.120	1.40	2900	37	0.15	30.0	75	3
EE80251S3-0000-999	○	12	0.090	1.10	2600	33	0.11	28.0	75	4
EE80252S1-0000-A99	○	24	0.073	1.80	3200	41	0.18	33.0	75	2
EE80252S2-0000-999	○	24	0.064	1.50	2900	37	0.15	30.0	75	3
EE80252S3-0000-999	○	24	0.052	1.30	2600	33	0.11	28.0	75	4



*All model could be customized. Please contact with Sunon Sales.

*Specifications are subject to change without notice. Please Visit SUNON web site at <http://www.sunon.com> for update information.