

## Features

- ★ Low cost
- ★ With built in capacitor
- ★ Ex-stock available

## Applications

- ★ Microprocessor system
- ★ VCD player
- ★ Home appliance
- ★ Cassette recorder
- ★ Automotive electronics
- ★ Communication equipment
- ★ TV



ZTT MG



ZTT MX

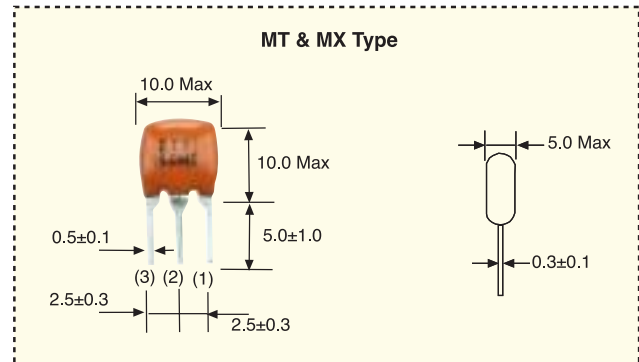
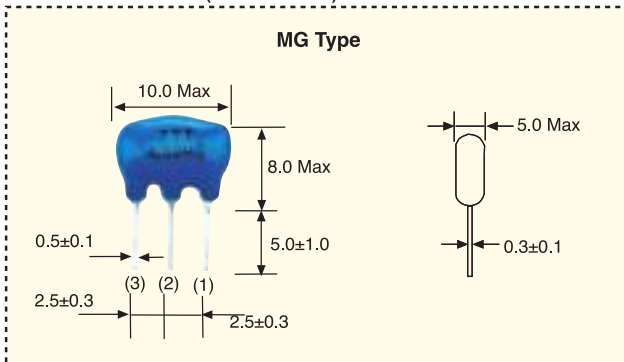


ZTT MT

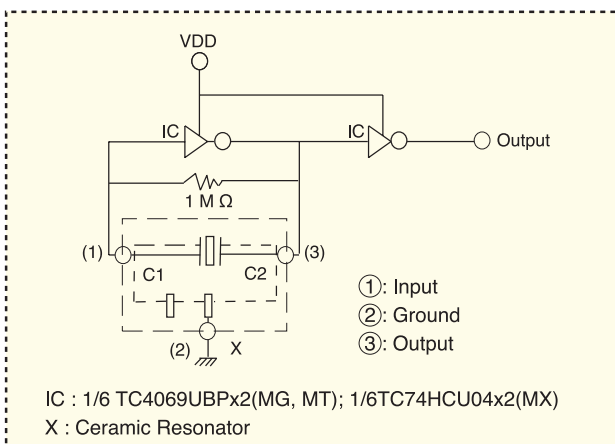
## Specifications (Characteristics)

Part Number	Frequency Range	Frequency Accuracy	Stability in Temperature (-20°C~+80°C)	Aging for Ten Years	Load Capacitance		Package
					C1	C2	
ZTT MG	1.80~8.00MHz	±0.5%	±0.3%	±0.3%	See Table 1		500pcs / bag
ZTT MT	6.01~13.00MHz	±0.5%	±0.3%	±0.3%			
ZTT MX	12.00~60.00MHz	±0.5%	±0.3%	±0.3%			

## Dimension (Unit : mm)



## Test Circuit



## Table 1

Circuit constants	
Frequency	C1, C2
1.80 ~ 8MHz	30pF
6.01 ~ 13.0MHz	22pF
13.0 ~ 20.0MHz	30pF
20.01 ~ 25.99MHz	15pF
26.00 ~ 60.00MHz	5pF

## Ordering Code

Part Number Code	Holder Type + Frequency + Design Mode
Ordering Code	Same as Above
Example	ZTT1.80MG
	ZTT10.0MT
	ZTT30.0MX