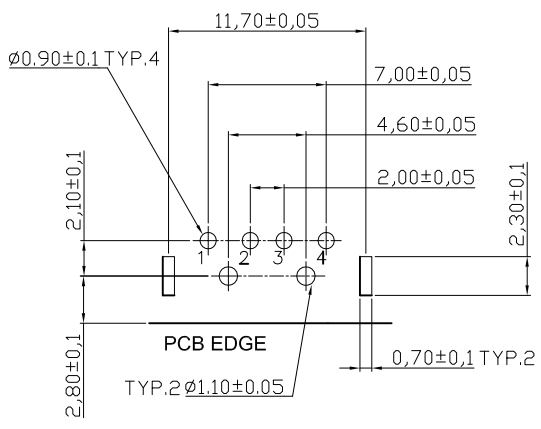
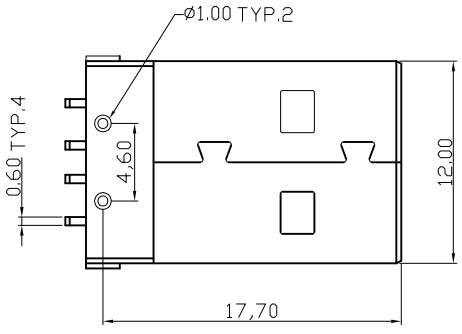
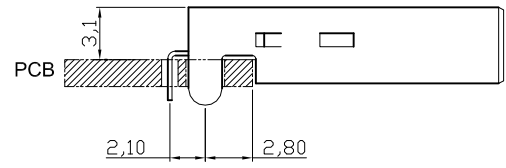


NOTES:

1. Insulation: Glass Filled Nylon 9T UL94V-0, Color Black
2. Contact : Brass
3. Plating : Selective Gold Flash over 50µ" Nickel
4. Shell Plating: Steel , 50µ" Nickel over 100µ" Cu
5. Packing: Tube



Recommended PCB Layout



RoHS compliant

Scale	1:1						Date	Name	Customer-No.
TOLERANCE							Drawn	11.02.2004	Hellwig
.X	±0.30						Approved	07.07.2009	Hellwig
.XX	±0.20								ASSMANN WSW-No.
.XXX	±0.10								A-USB A-LP-C
DIM	TOL	②	Update	07.07.2009	Dean		Drawing-No.		
X.°	±1°						ASS 1413 CO		rev02
Angle	TOL	①	Drawn	11.02.2004	Hellwig		Replace		SHEET
UNIT	mm	Id.	Modification	Date	Name				

RoHS compliant

1

2

3

4

5

6

7