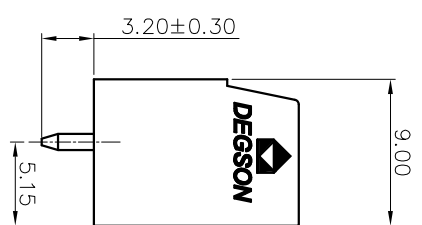
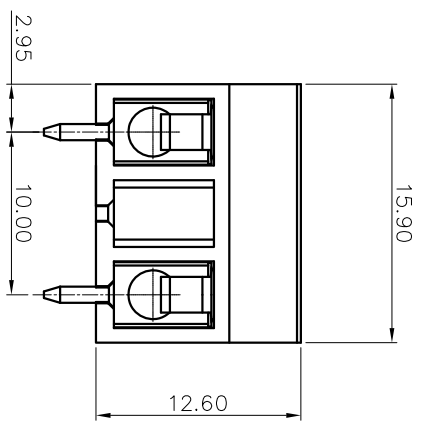
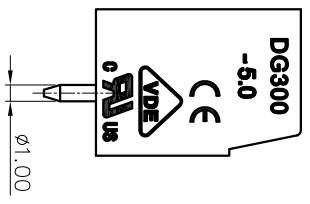
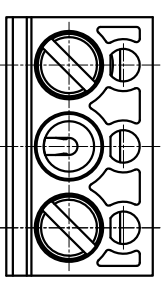


REVISION RECORD				
REV	ECN	DESCRIPTION	DRFT	DATE

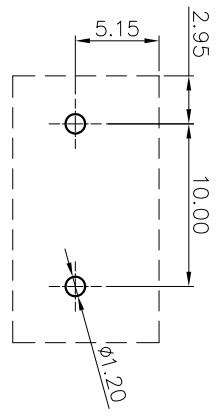
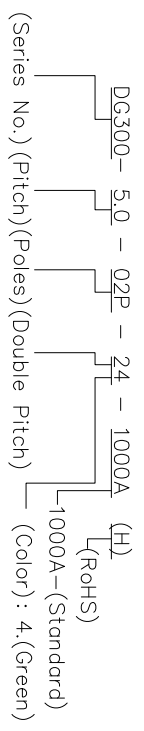


- NOTES1:
UL Standard
1. Rated voltage/current : 300V / 10A
2. Torque value : M3 , 4.43lb.in
3. Wire range : 22~14AWG
- IEC Standard
1. Rated voltage/current : 250V / 24A
2. Torque value : M3 , 0.5N.m
3. Wire range : 1.0~2.5mm²

- NOTES2:
1. Dimension shall be interpreted per ASME Y14.5-2009
2. Pitch : 10.0mm, Poles : 02P
3. Stripping length : 5~6mm
4. Withstanding voltage : AC2000V/1min
5. Operating temperature : -40°C~+105°C
6. Undimensioned tolerances:

Pitch range in mm	Nominal dimension range		mm	mm	mm	mm	mm	mm	mm
	Over	Over							
TO	6	10	TO	30	60	100	150	0.1/10	±2°
TO	10	24	TO	60	100	150	150	≤	±2°
TO	10	24	TO	30	60	100	150	±0.15/±0.20	±0.30/±0.50/±0.70/±1.00/±1.30

7. RoHS Compliance



DETACHED LISTS			
PART NO.:	/	NAME:	DEGSON NINGBO DEGSON ELECTRICAL CO., LTD 宁波高松电子有限公司
APPD:	/	CHKD:	DG300-5.0-02P-24-1000A(H)
DRFT:	/	TITLE:	CUSTOMER DRAWING
THIRD ANGLE PROJECTION		DRAWING NO.:	/
		DO NOT SCALE DRAWING	SCALE
	1:1		1:1