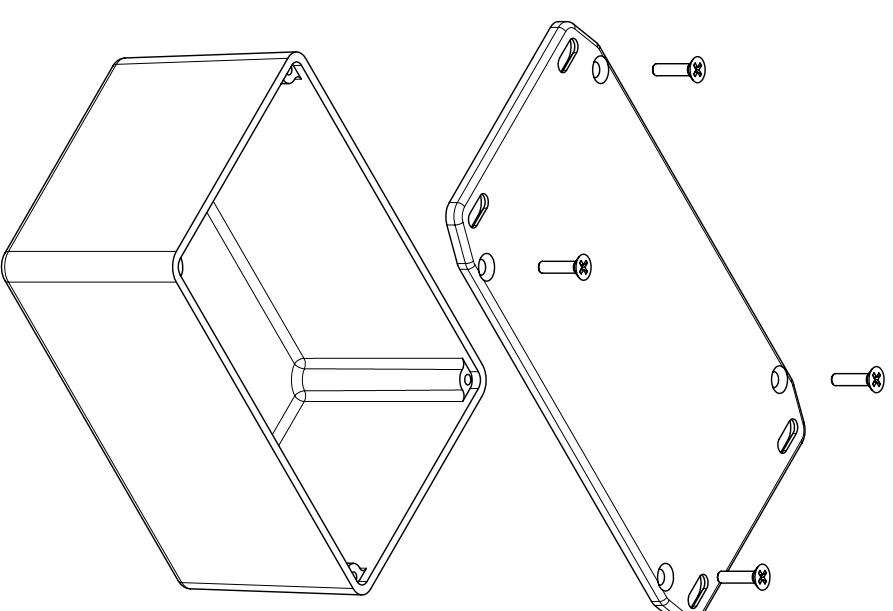
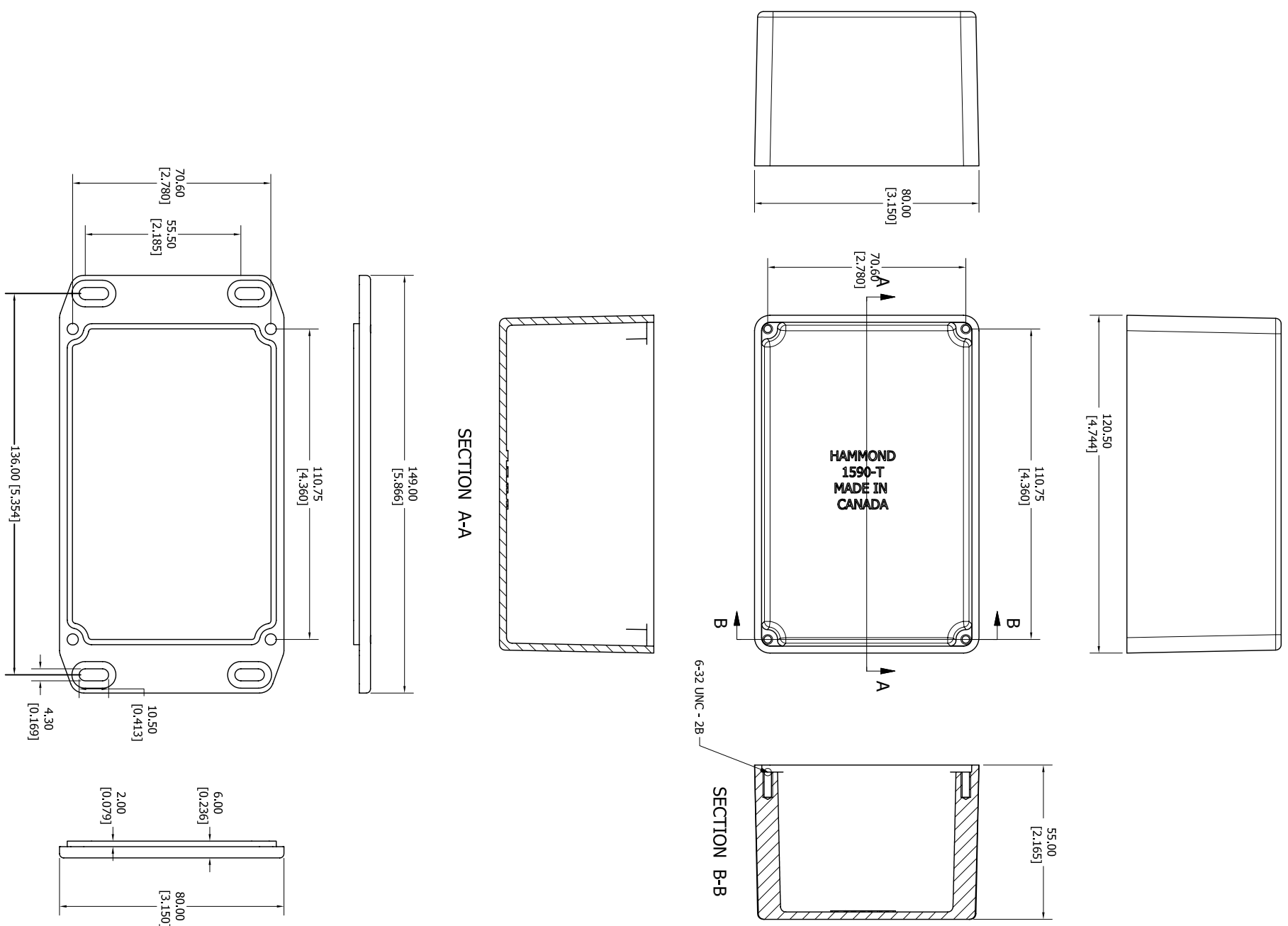


1590TFL (Flanged Lid)



www.hammondmfg.com

PART DESCRIPTION	
Part Number:	1590TFL
Material:	Diecast Aluminum Alloy (alloy type 360.1)
Screw Type:	6-32 x 1/2" Machine Screws (Includes 4)