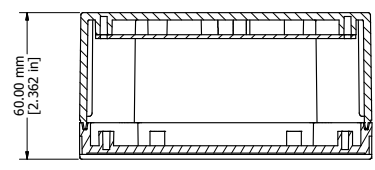
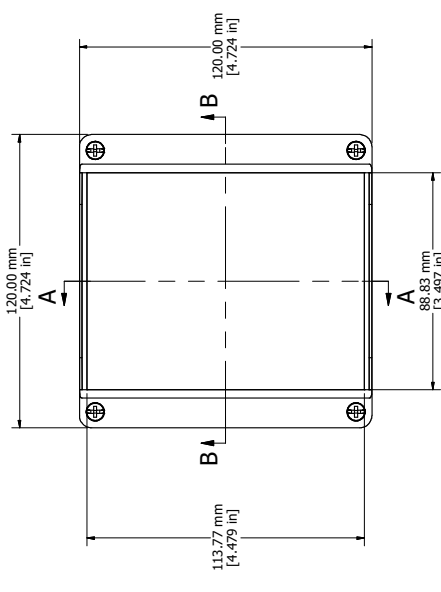


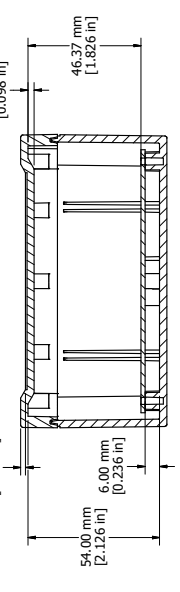
UL LISTED
 File #E65324
 NEMA 4, 4X



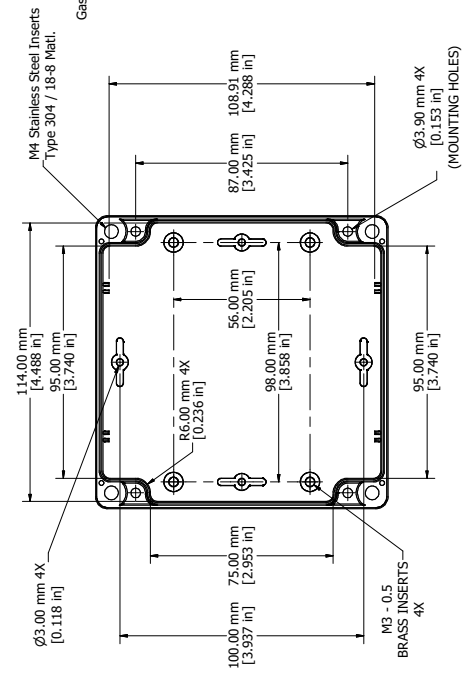
SECTION A-A



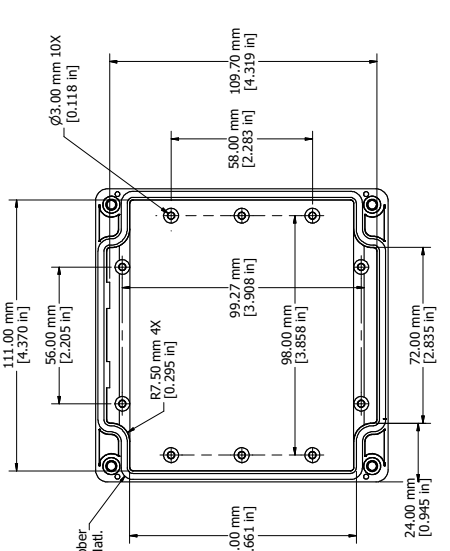
ASSEMBLY



SECTION B-B

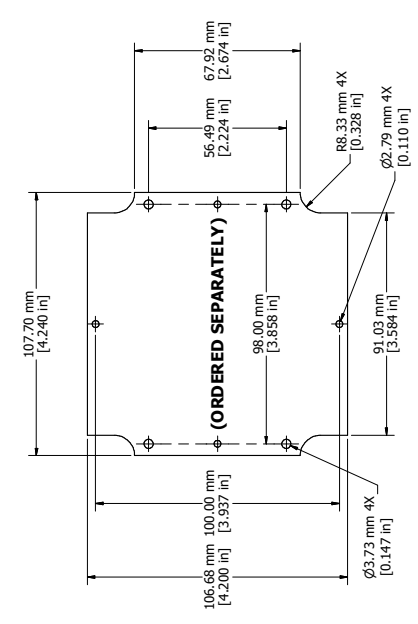


BOX - INSIDE



LID - INSIDE

STEEL INNER PANEL



NOTE	
Purchased assembly includes box, lid, and 4 cover screws	
Cover screws should be torqued to 2.5 lbf-in (30 cN-m)	
Polycarbonate version is UL 508 approved	
1555N	
1555N Regular Enclosure	
General Purpose ABS RAL-7035 UL94 - HB	1555NGY
Polycarbonate RAL-7035 UL94 - V0 / 5VA @ 3mm	1555NZGY
ACCESSORIES	
Heavy Duty 16 Gauge Galvanized Steel Panels	1554NPL
Steel Panel / P.C. Board Machine Screw	1591MM100
[M3 x 8mm Nickel Plated]	
Steel Panel / P.C. Board Self Tapping Screw	1598ATS100
#6 x 1/4" (6.4mm) Nickel Plated	
Cover Screws (Pkg 4)	SC1554
[M4 X 20mm Type 304 Stainless Steel]	

HAMMOND
MANUFACTURING™
 1555N
 www.hammondmfg.com

Enclosures can be Factory Modified (Milling, Drilling, Printing etc.)
 Solid models of this enclosure available in STEP or IGES.
 Contact Factory njm@hammondmfg.com