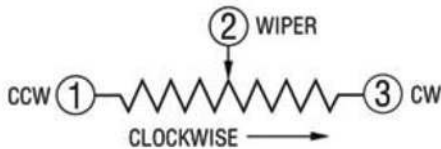
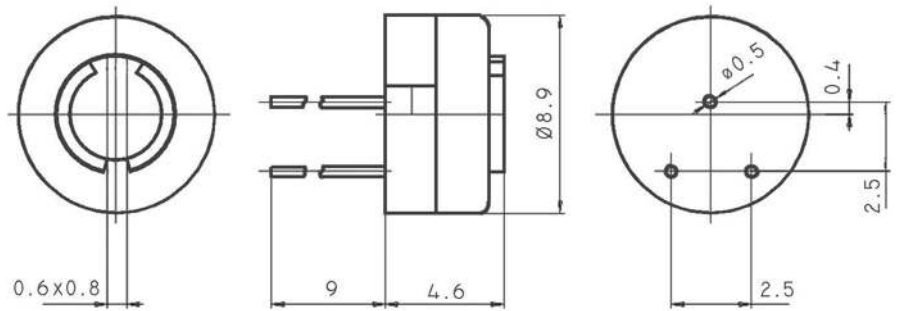


3329H Potentiometer

Features:

- Multi-turn cermet trimmer.
- Higher rated power thanks to the use of cermet resistor element.
- Cut-off structure offers excellent overall characteristics.
- Only 5mm thickness for board space saving.
- Excellent reliability for heat and humidity.
- Tighter resistance tolerances available.

Standard Resistance Range 50 ~2M
 Resistance Tolerance $\pm 10\%$
 (tighter % available)
 Absolute Minimum Resistance 1% or 10
 (whichever is greater)
 Contact Resistance Variation 1% or 10
 (whichever is greater)
 Rotational Noise
 (method B for IEC)
 3% or 5
 (Select the bigger)
 Resistance Temperature Coefficient 100ppm/ $^{\circ}\text{C}$
 Rotational Life 200 cycles
 Total Angle of Mechanical Rotation $250^{\circ} \pm 10^{\circ}$
 Starting Torque 3-35mN.m
 Power Rating (315 volts max.)
 0.5W @ 70°C
 0W @ 125°C
 Withstand Voltage 600V AC 1min



Resistance Code	Resistance (Ohms)	Resistance (Ohms)
500		50
101		100
201		200
501		500
102		1000
202		2000
502		5000
103		10000
203		20000
253		25000
503		50000
104		100000
204		200000
254		250000
504		500000
105		1000000
205		2000000

Part Numbering System

