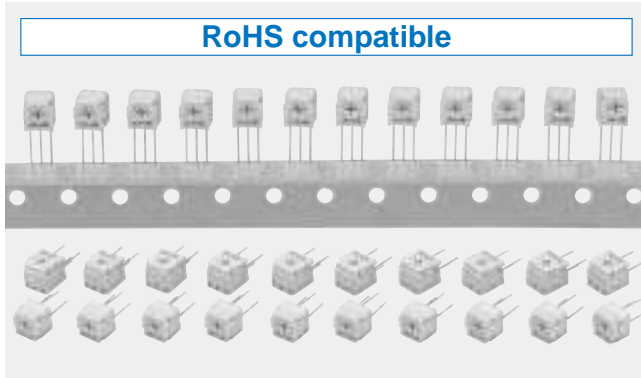


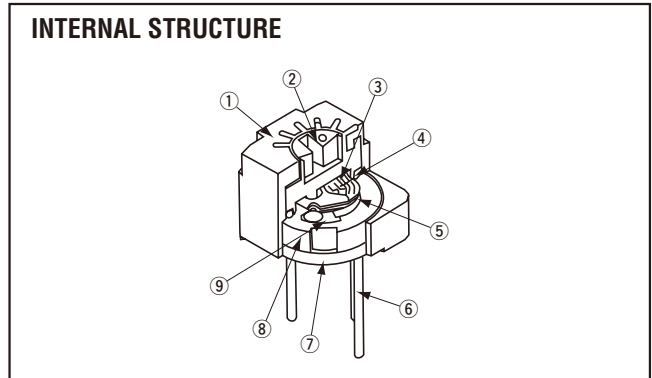
SINGLE TURN CERMET TRIMMERS

# FT-63



## FEATURES

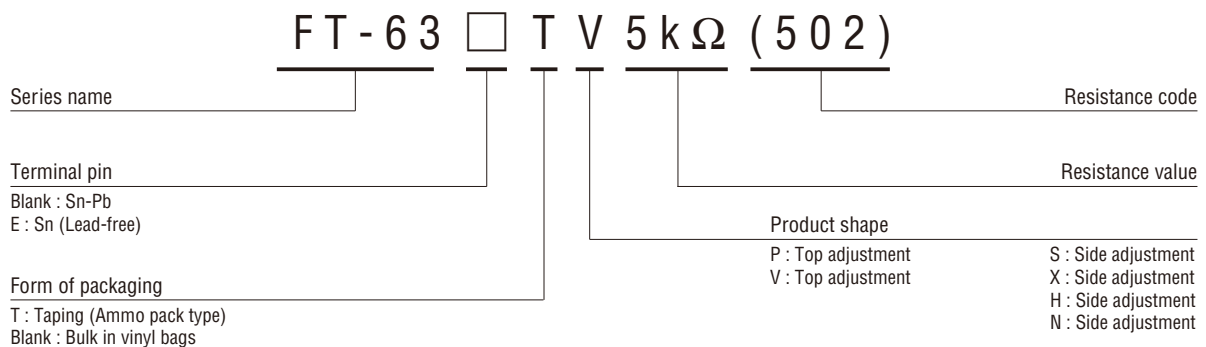
- Lead-free soldering, Cadmium-free
- Resistance tolerance  $\pm 10\%$
- "O" ring sealed and washable
- Suitable for automatic insertion and automatic adjustment
- Increase in the level of characteristics in the high-frequency field (In house comparison)



Part name		Material	Flammability	
①	Housing	PBT (Polybutyleneterephthalate)	UL-94V-0	
②	Rotor			
③	Wiper	Nickel silver	—	
④	"O" ring	Silicone rubber	UL-94HB	
⑤	Resistive element	RuO <sub>2</sub> cermet	—	
⑥	Terminal pin	Sn-Pb		Copper, Solder-plated
		Sn		
⑦	Adhesive	Epoxy	UL-94V-0	
⑧	Base element	Ceramic	—	
⑨	Electrode	Ag-Pd cermet		

CFCs, Halon, Carbon tetrachloride and designated bromic flame retardant PBBOs and PBBs are not used in our products.

## PART NUMBER DESIGNATION



✳ Please refer to the LIST OF PART NUMBERS when placing orders.

## FT-63 CERMET TRIMMERS

### ■ LIST OF PART NUMBERS

Adjustment position	Form of packaging			
	Taping (Ammo pack type)		Vinyl bag	
	Sn-Pb	Sn (Lead-free)	Sn-Pb	Sn (Lead-free)
Top adjustment	FT-63TP	FT-63ETP	FT-63P	FT-63EP
	FT-63TV	FT-63ETV	FT-63V	FT-63EV
Side adjustment	FT-63TS	FT-63ETS	FT-63S	FT-63ES
	/	/	FT-63X	FT-63EX
	FT-63TH	FT-63ETH	FT-63H	FT-63EH
	/	/	FT-63N	FT-63EN

☐ : Not manufactured

### <Nominal resistance values>

Fig. 1

☉ 10 Ω	☉ 20 Ω	50 Ω	100 Ω	200 Ω	300 Ω	500 Ω
1 kΩ	2 kΩ	3 kΩ	5 kΩ	10 kΩ	20 kΩ	30 kΩ
50 kΩ	100 kΩ	200 kΩ	300 kΩ	500 kΩ	1 MΩ	2 MΩ

The products indicated by ☉ mark are manufactured upon receipt of order basis.

※ : The above part numbers are all available with the respective combination of <Nominal resistance values> (Fig. 1).

※ : Verify the above part numbers when placing orders.

※ : Taping specification is not sold separately and must be purchased in taping unit.

### ■ ELECTRICAL CHARACTERISTICS

Nominal resistance range	10 Ω ~ 2 MΩ
Resistance tolerance	± 10 %
Power ratings	0.5 W (70 °C) 0 W (125 °C)
Resistance law	Linear law (B)
Maximum input voltage	DC200 V or power rating, whichever is smaller
Maximum wiper current	Power ratings
Effective electrical angle	220 ° (1 turn)
End resistance	1 % or 2 Ω, whichever is greater
C.R.V.	2 % or 3 Ω, whichever is greater
Operating temp. range	-55 ~ 125 °C
Temp. coefficient	10 Ω ~ 20 Ω : ± 150 10 <sup>-6</sup> /°C maximum 50 Ω ~ 2 MΩ : ± 100 10 <sup>-6</sup> /°C maximum
Insulation resistance	1000 MΩ minimum (DC500 V)
Dielectric strength	AC900 V, 60 s
Net weight	Approx. 0.52 g (FT-63P, V, EP, EV) Approx. 0.66 g (FT-63S, H, X, N, ES, EH, EX, EN)

### ■ MECHANICAL CHARACTERISTICS

Mechanical angle	260 ° (1 turn)
Operating torque	20 mN·m {204 gf·cm} maximum
Stop strength	50 mN·m {510 gf·cm} minimum
Rotational life	100 cycles [ $\Delta R/R \leq \pm (2 \Omega + 3 \%)$ ]
Terminal strength	10 N {1.02 kgf} minimum (Tensile strength)
Thrust to rotor	10 N {1.02 kgf} minimum
Solderability	Sn-Pb : 235 °C, 2 s Sn (Lead-free) : 245 ± 3 °C, 2 ~ 3 s

{ } : Reference only

### ■ ENVIRONMENTAL CHARACTERISTICS

Test item	Test conditions	Specifications
Thermal shock	-65 ~ 125 °C (0.5 h), 5 cycles	[ $\Delta R/R \leq 1\%$ ] [S.S. $\leq 1\%$ ]
Humidity	-10 ~ 65 °C (Relative humidity 80 ~ 98 %), 10 cycles, 240 h	[ $\Delta R/R \leq 2\%$ ]
Shock	981 m/s <sup>2</sup> , 6 ms 6 directions for 3 times each	[ $\Delta R/R \leq 1\%$ ] [S.S. $\leq 1\%$ ]
Vibration	Amplitude 1.52 mm or Acceleration 196 m/s <sup>2</sup> , 10 ~ 2000 Hz, 3 directions, 12 times each	
Load life	70 °C, 0.5 W 1000 h	[ $\Delta R/R \leq 3\%$ ] [S.S. $\leq 1\%$ ]
Low temp. operation	-55 °C, 2 h	[ $\Delta R/R \leq 2\%$ ] [S.S. $\leq 2\%$ ]
High temp. exposure	125 °C, 250 h	[ $\Delta R/R \leq 3\%$ ] [S.S. $\leq 2\%$ ]
Immersion seal	85 °C, 60 s	No leaks (No continuous bubbles)
Soldering heat	Sn-Pb 350 °C, 3 s	[ $\Delta R/R \leq 1\%$ ]
	Sn Flow soldering : 260 ± 3 °C, 5 ~ 6 s, two times maximum Manual soldering : 380 ± 10 °C, 3 ~ 4 s	

$\Delta R/R$  : Change in total resistance  
S.S. : Setting stability

### ■ MAXIMUM INPUT RATINGS

Nominal resistance values ( $\Omega$ )	Resistance code	Maximum input voltage (V)	Maximum wiper current (mA)
➡ 10	100	2.24	223
➡ 20	200	3.16	158
50	500	5.00	100
100	101	7.07	70.7
200	201	10.0	50.0
300	301	12.2	40.8
500	501	15.8	31.6
1 k	102	22.4	22.4
2 k	202	31.6	15.8
3 k	302	38.7	12.9
5 k	502	50.0	10.0
10 k	103	70.7	7.07
20 k	203	100	5.00
30 k	303	122	4.08
50 k	503	158	3.16
100 k	104	200	2.00
200 k	204	200	1.00
300 k	304	200	0.66
500 k	504	200	0.40
1 M	105	200	0.20
2 M	205	200	0.10

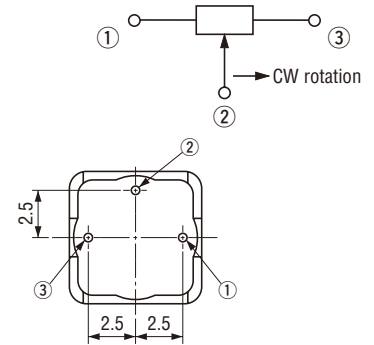
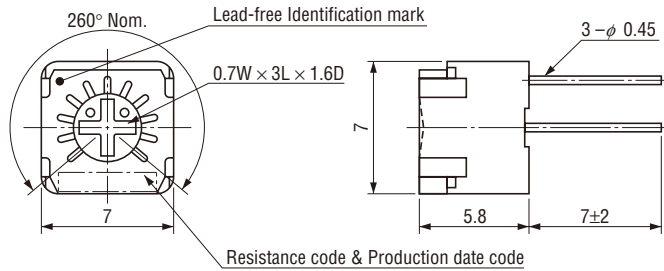
The products indicated by ➡ mark are manufactured upon receipt of order basis.

# FT-63 CERMET TRIMMERS

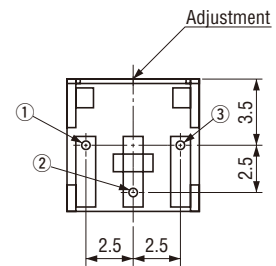
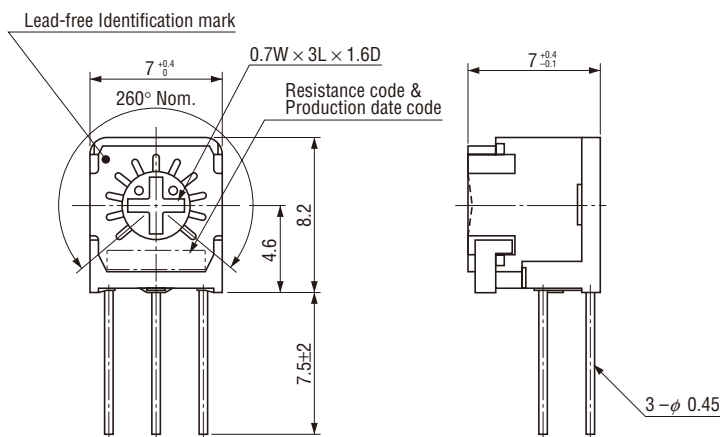
## OUTLINE DIMENSIONS

Unless otherwise specified, tolerance:  $\pm 0.3$  (Unit: mm)

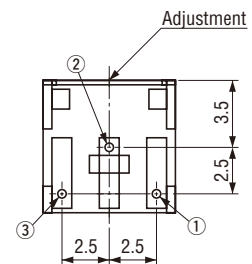
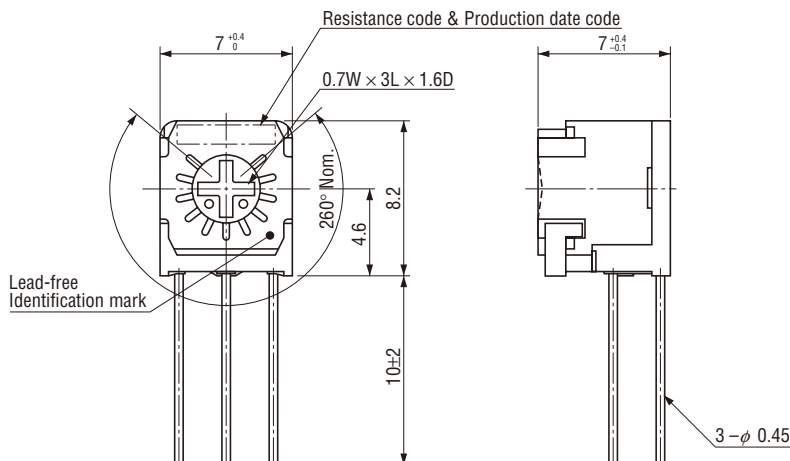
### FT-63P, FT-63EP Top adjustment



### FT-63S, FT-63ES Side adjustment



### FT-63X, FT-63EX Side adjustment

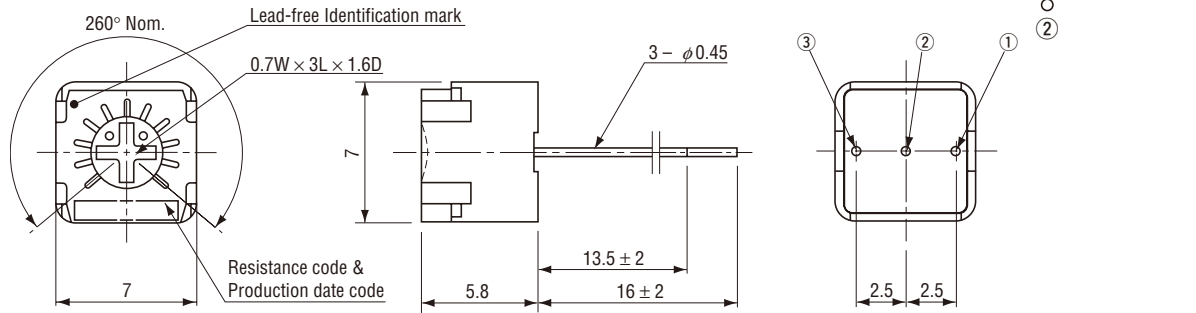


# FT-63 CERMET TRIMMERS

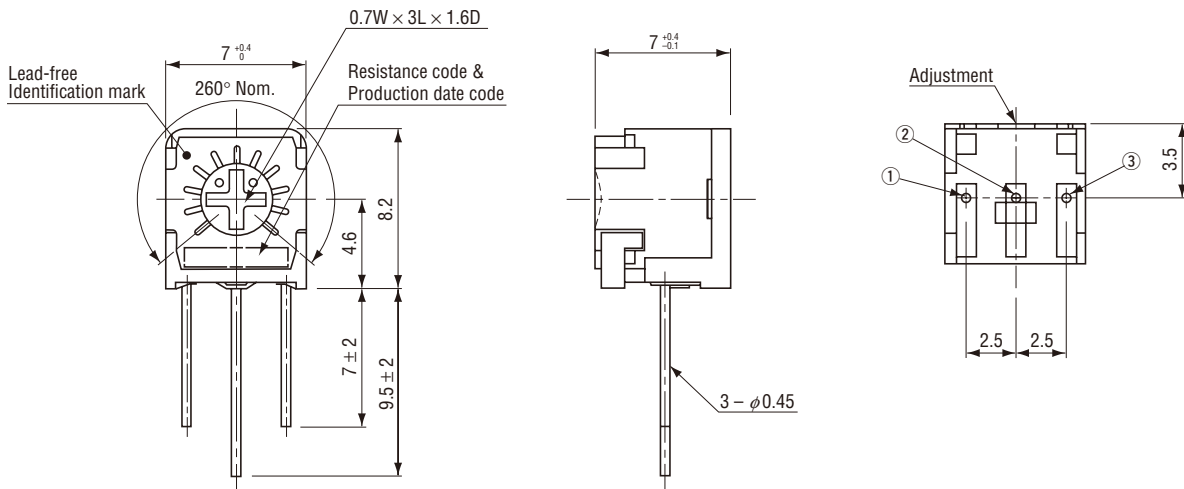
## OUTLINE DIMENSIONS

Unless otherwise specified, tolerance:  $\pm 0.3$  (Unit: mm)

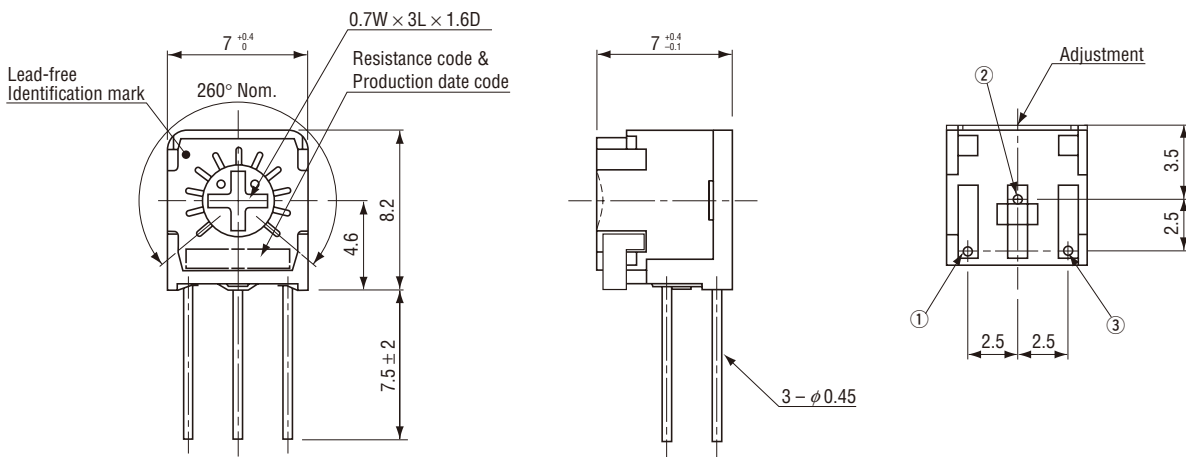
### ● FT-63V, FT-63EV Top adjustment



### ● FT-63H, FT-63EH Side adjustment



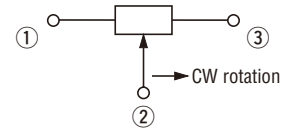
### ● FT-63N, FT-63EN Side adjustment



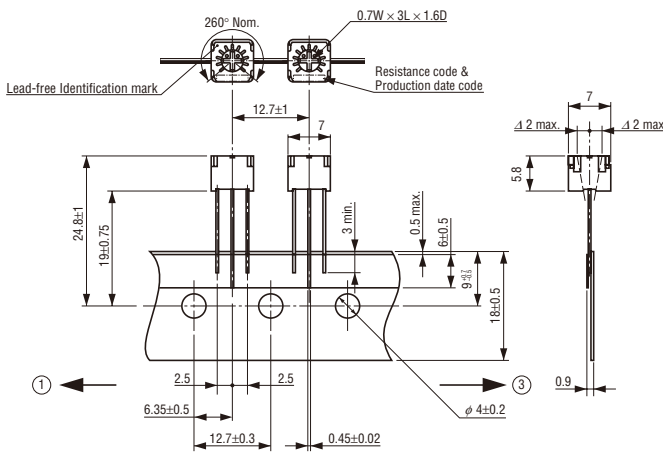
# FT-63 CERMET TRIMMERS

## OUTLINE DIMENSIONS

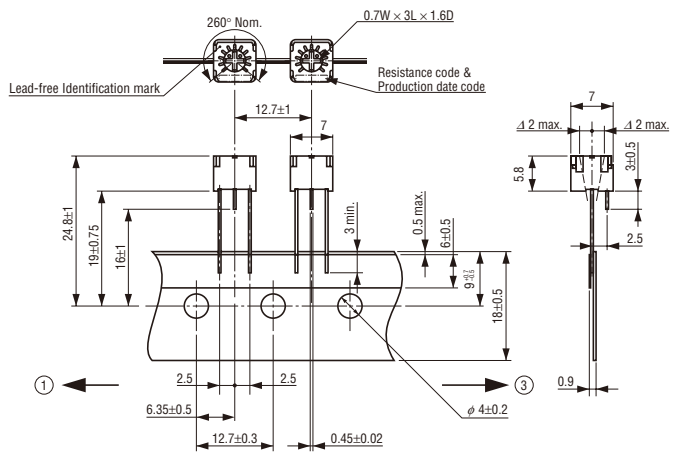
Unless otherwise specified, tolerance:  $\pm 0.3$  (Unit: mm)



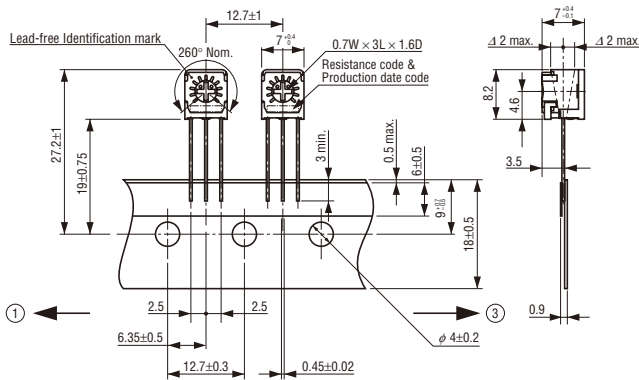
### FT-63TV, FT-63ETV Top adjustment



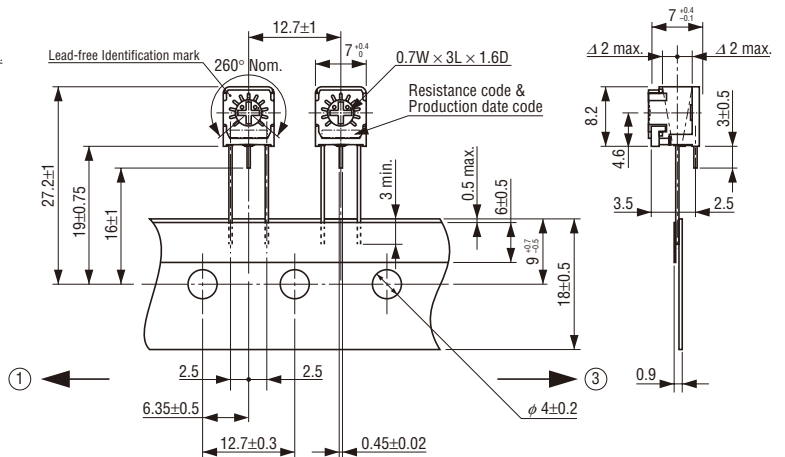
### FT-63TP, FT-63ETP Top adjustment



### FT-63TH, FT-63ETH Side adjustment



### FT-63TS, FT-63ETS Side adjustment



### ■ PACKAGING SPECIFICATIONS

#### <Taping packaging specifications>

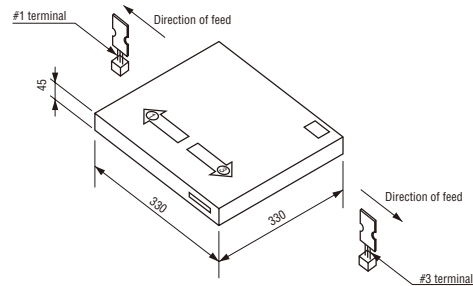
- Taping version is packaged in 1000 pcs. per reel.  
Orders will be accepted for units of 1000 pcs., i.e., 1000, 2000, 3000 pcs., etc.
- Tape & reel version contains 1000 pcs. in one box.

#### <Vinyl bag packaging specifications>

- Unit of bulk in vinyl bag packaging is 100 pcs. per pack.
- Boxing of bulk in vinyl bags is performed with 1000 pcs. per box.



Ammo pack type



#### Ammo Pack

- Package size: 330 mm × 330 mm × 45 mm
- The leader and end of the tape have an empty part of minimum 300 mm respectively.
- There are two tape outlets on the package for different terminal alignment directions, for which details refer to the sketch above.  
(e.g.) When the tape is fed from the right outlet marked ③, #3 terminal comes out first.
- Gross weight of the boxing version
 

TV, ETV :	Approx. 850 g
TH, ETH :	Approx. 940 g
TP, ETP :	Approx. 820 g
TS, ETS :	Approx. 940 g