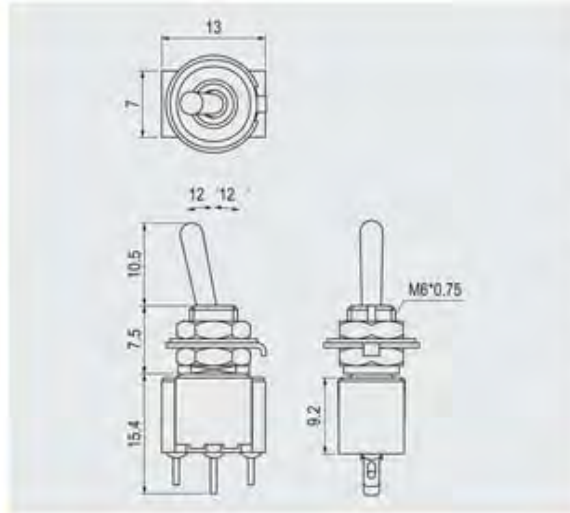


(55 SERIES) TA1



Rating
6A 125V AC 3A 250V AC
Contact resistant
50mΩ Max
Insulation resistant
DC 500V 100MΩ Min
Dielectric strength
AC 1000V 1 minute
Cut out
 ± 1 mm max

FEATURES

- * MATERIAL: Phenolic base (UL flame: 94V-0).
Contacts and Terminals are copper with silver alloy and silver plated.
- * Epoxy sealed for dust and moisture resistant.
- * Colorful handle covers and waterproof boot are optional for toggle type A.

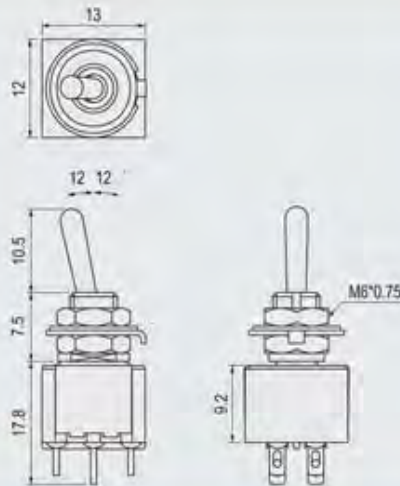


TA1

FUNCTION		LEVER	TERMINAL
0 1 OFF ON 2P SPST	0 5 (ON) OFF (ON) 3P SPDT	A Standard 2.8 10.5	1 SO 2 PC 3 PC Angle(2.54) 5 PC Angle(3.8)
0 2 ON ON 3P SPDT	0 6 (ON) ON 3P SPDT	F Flat 5 12	
0 3 ON OFF ON 3P SPDT		G Plastic 5 15	
0 4 (ON) OFF (ON) 3P SPDT			



(55 SERIES) TA2



Rating
6A 125V AC 3A 250V AC
Contact resistant
50mΩ Max
Insulation resistant
DC 500V 100MΩ Min
Dielectric strength
AC 1000V 1 minute
Cut out

FEATURES

- * MATERIAL: Phenolic base (UL flame: 94V-0).
Contacts and Terminals are copper with silver alloy and silver plated.
- * Epoxy sealed for dust and moisture resistant.
- * Colorful handle covers and waterproof boot are optional for toggle type A.



TA2

FUNCTION		LEVER	TERMINAL
<p>0 1</p>	<p>0 5</p>	<p>A Standard</p>	<p>1 SO</p> <p>2 PC</p> <p>3 PC Angle(2.54)</p> <p>5 PC Angle(3.8)</p>
<p>0 2</p>	<p>0 6</p>	<p>F Flat</p>	
<p>0 3</p>		<p>G Plastic</p>	
<p>0 4</p>			

