



- Features :
- \*Universal AC input / Full range
- \*Compact size.
- \*Protections: Short circuit / Overload / Over voltage
- \*Cooling by free air convection
- \*Isolation classII
- \*No load power consumption<0.1W
- \*100% full load burn-in test
- \*High reliability
- \*3 years warranty

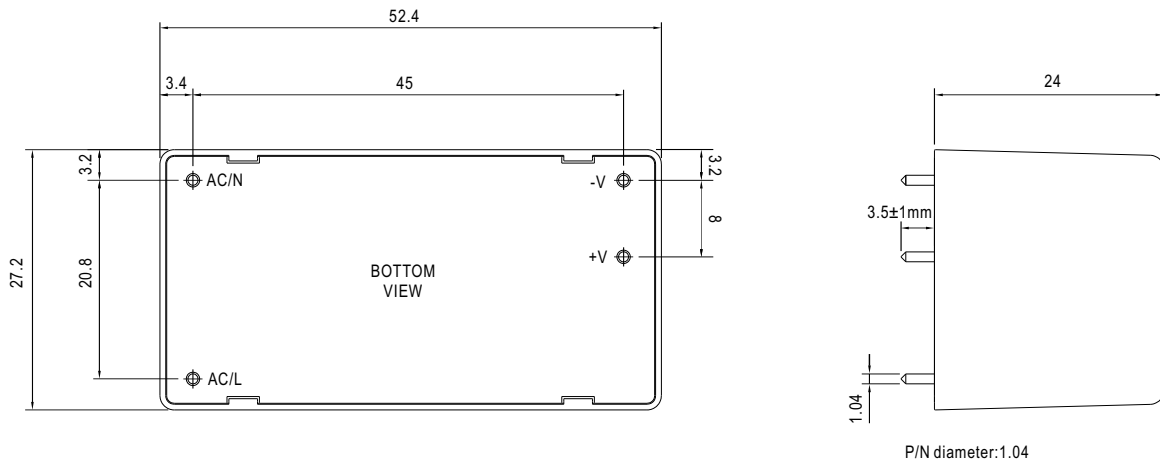


## SPECIFICATION

| MODEL                 | IRM-15-3.3                           | IRM-15-5  | IRM-15-12    | IRM-15-15    | IRM-15-24      |              |
|-----------------------|--------------------------------------|---|--------------|--------------|----------------|--------------|
| OUTPUT                | DC VOLTAGE                           | 3.3V  | 5V           | 12V          | 15V            | 24V          |
|                       | RATED CURRENT                        | 3.5A  | 3A           | 1.25A        | 1A             | 0.63A        |
|                       | CURRENT RANGE                        | 0 ~ 3.5A  | 0 ~ 3A       | 0 ~ 1.25A    | 0 ~ 1A         | 0 ~ 0.63A    |
|                       | RATED POWER                          | 11.55W  | 15W          | 15W          | 15W            | 15.12W       |
|                       | RIPPLE & NOISE (max.) Note.2         | 200mVp-p  | 200mVp-p     | 200mVp-p     | 200mVp-p       | 200mVp-p     |
|                       | VOLTAGE TOLERANCE Note.3             | ±2.5%   | ±2.5%        | ±2.5%        | ±2.5%          | ±2.5%        |
|                       | LINE REGULATION                      | ±0.5%   | ±0.5%        | ±0.3%        | ±0.3%          | ±0.3%        |
|                       | LOAD REGULATION                      | ±1%   | ±1%          | ±0.5%        | ±0.5%          | ±0.5%        |
|                       | SETUP, RISE TIME                     | 1000ms, 20ms/230VAC 1000ms, 20ms/115VAC at full load  |              |              |                |              |
| HOLD UP TIME (Typ.)   | 40ms/230VAC 10ms/115VAC at full load |   |              |              |                |              |
| INPUT                 | VOLTAGE RANGE                        | 85 ~ 264VAC 120 ~ 370VDC  |              |              |                |              |
|                       | FREQUENCY RANGE                      | 47 ~ 440Hz  |              |              |                |              |
|                       | EFFICIENCY (Typ.)                    | 74%   | 78%          | 82%          | 82%            | 83%          |
|                       | AC CURRENT (Typ.)                    | 0.35A/115VAC 0.2A/230VAC  |              |              |                |              |
|                       | INRUSH CURRENT (Typ.)                | COLD START 20A/115VAC 40A/230VAC  |              |              |                |              |
| LEAKAGE CURRENT       | < 0.25mA/240VAC                      |   |              |              |                |              |
| PROTECTION            | OVERLOAD                             | 115 ~ 190% rated output power<br>Protection type : Hiccup mode, recovers automatically after fault condition is removed   |              |              |                |              |
|                       | OVER VOLTAGE                         | 3.8 ~ 4.95V   | 5.75 ~ 6.75V | 13.8 ~ 16.2V | 17.25 ~ 20.25V | 27.6 ~ 32.4V |
| ENVIRONMENT           | WORKING TEMP.                        | -30 ~ +70°C (Refer to "Derating Curve")   |              |              |                |              |
|                       | WORKING HUMIDITY                     | 20 ~ 90% RH non-condensing  |              |              |                |              |
|                       | STORAGE TEMP., HUMIDITY              | -40 ~ +85°C, 10 ~ 95% RH  |              |              |                |              |
|                       | TEMP. COEFFICIENT                    | ±0.03%/°C (0 ~ 50°C)  |              |              |                |              |
|                       | VIBRATION                            | 10 ~ 500Hz, 5G 10min./1cycle, period for 60min. each along X, Y, Z axes   |              |              |                |              |
| SAFETY & EMC (Note 4) | SAFETY STANDARDS                     | UL60950-1, TUV EN60950-1 approved   |              |              |                |              |
|                       | WITHSTAND VOLTAGE                    | I/P-O/P:3KVAC   |              |              |                |              |
|                       | ISOLATION RESISTANCE                 | I/P-O/P:100M Ohms / 500VDC / 25°C / 70% RH  |              |              |                |              |
|                       | EMC EMISSION                         | Compliance to EN55022 (CISPR22) Class B, EN61000-3-2,-3   |              |              |                |              |
| OTHERS                | EMC IMMUNITY                         | Compliance to EN61000-4-2,3,4,5,6,8,11, EN55024, heavy industry level(surge L-N:1KV), criteria A  |              |              |                |              |
|                       | MTBF                                 | 970.3Khrs min. MIL-HDBK-217F (25°C)   |              |              |                |              |
|                       | DIMENSION                            | 52.4*27.2*24mm (L*W*H)  |              |              |                |              |
| NOTE                  | PACKING                              | 0.059Kg/240pcs/15.2Kg/0.97CUFT  |              |              |                |              |
|                       |                                      | <ol style="list-style-type: none"> <li>All parameters NOT specially mentioned are measured at 230VAC input, rated load and 25°C of ambient temperature.</li> <li>Ripple &amp; noise are measured at 20MHz of bandwidth by using a 12" twisted pair-wire terminated with a 0.1uf &amp; 47uf parallel capacitor.</li> <li>Tolerance : includes set up tolerance, line regulation and load regulation.</li> <li>The power supply is considered a component which will be installed into a final equipment. The final equipment must be re-confirmed that it still meets EMC directives.</li> </ol> |              |              |                |              |

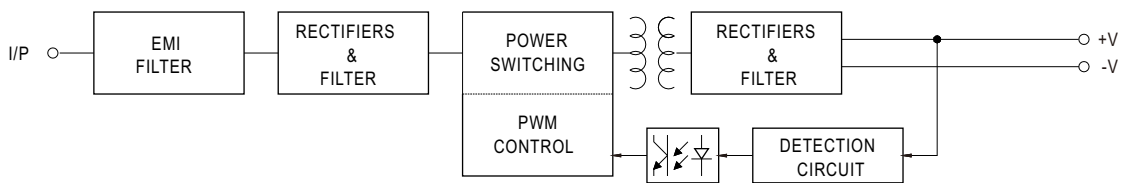
■ Mechanical Specification

Case No.219A Unit:(mm)

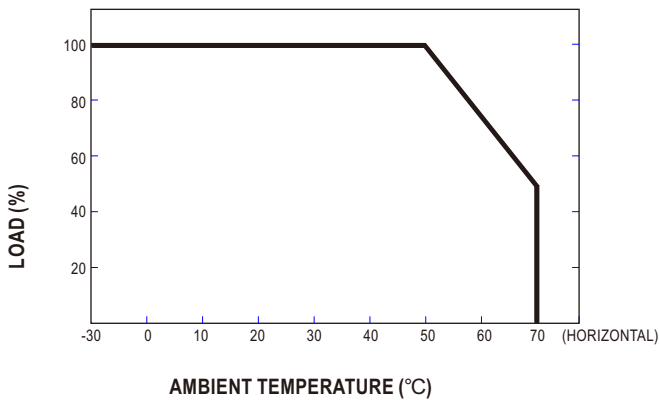


■ Block Diagram

fosc : 100KHz



■ Derating Curve



■ Output Derating VS Input Voltage

