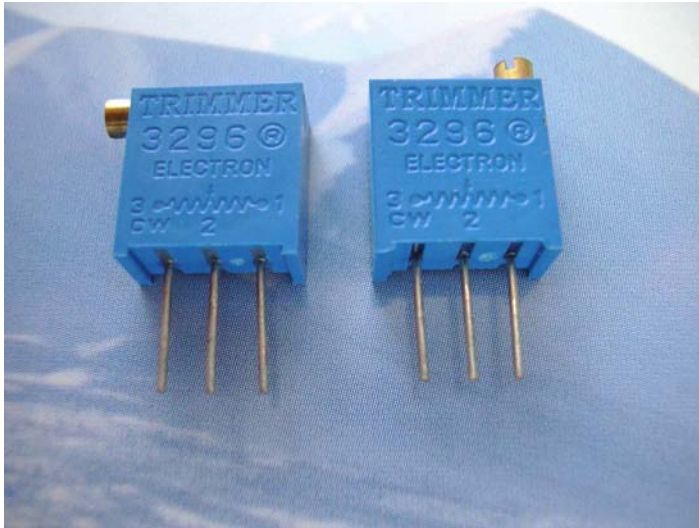


MULTITURN 9 mm CERMET TRIMMERS



LIST OF PART NUMBERS

Adjustment position	Shape of terminal (Top view)	Form of packaging Rail Tube	Piece in package
Top adjustment 		3296W	50 pcs./pack
Side adjustment (↑ adjustment Direction) 		3296X	
Side adjustment (↑ adjustment Direction) 		3296P	
Top adjustment 		3296Y	

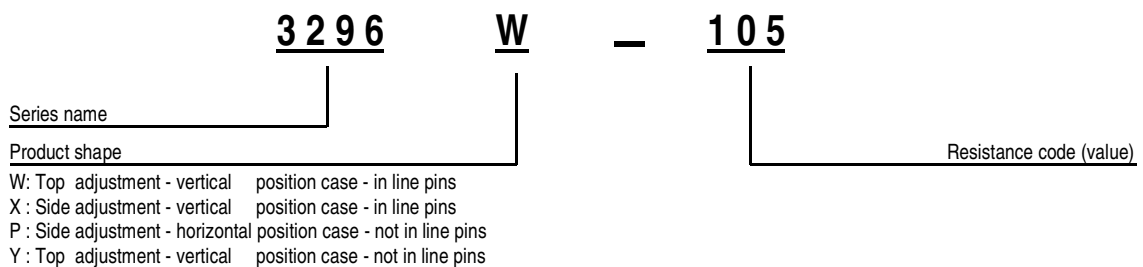
FEATURES

- MULTITURN / CERMET / INDUSTRIAL / SEALED
- WIDE OPERATING TEMPERATURE RANGE
- GOOD STABILITY
- LOW TEMPERATURE COEFFICIENT
- WIDE OHMIC RANGE

COMPLIANCE APPROVAL

National standard= GB/T15298-94
 Enterprise Standard= Q/R Y256-2000
 National Military Standard= GJB918-90
 WI Cermet Trimming Potentiometer Military Production Line
 Certificate No.= COC-L-136-2000
 Quality Standard = idt ISO 9001:2000 - GB/T 19001-2000

PART NUMBER DESIGNATION



Electron is a brand of

Believe Srl

Via Lago di Trasimeno, 21 I-36015 Schio VI Italy
 Phone +39 0445 579035 Fax +39 0445 575708
 Email: info@lievore.com

Specifications are subject to change without notice. Specifications in this data sheet are for reference.

Electron
3296
 Rev.03M03

MULTITURN 9 mm CERMET TRIMMERS

■ ELECTRICAL CHARACTERISTICS

Nominal resistance range	10 Ω ~ 2 MΩ
Nominal resistance tolerance	±10% (Tighter tolerance available)
Power ratings	0.5 W (70°C)
Resistance law	Linear law
Maximun input voltage	DC 300 V
Maximun wiper current	100 mA
Effective electrical turn	28 TURNS + / - 2
End resistance	≤1% or 2Ω max
C.R.V.	≤3% or 3Ω max
Operating temp. range	-55 ~ + 125 °C
Temp. coefficient	10 Ω ~ 20Ω ± 250 ppm/°C
Insulation resistance	1000 MΩ minimun (DC 500V)
Dielectric strenght	101,3kpa,600Vac;8,5kpa,360Vac
Net Weight	Approx. 0,93 gr.

■ MECHANICAL CHARACTERISTICS

Mechanical turn	28 ± 2 TURNS
Operating torque	36 mN . m(357 gf.cm) max
Mechanical stop	Clutch action
Rotational life	200 cycles[ΔR/R ≤ 3 %]
Terminal Strenght	8 N minimun tensile strenght
Thrust to shaft	8 N maximun
Solderability	235 °C for 2 sec.

<Nominal resistance values>

10Ω	20Ω	50Ω	100Ω	200Ω	500Ω	1KΩ	2KΩ	5KΩ
10KΩ	20KΩ	50KΩ	100KΩ	200KΩ	500KΩ	1MΩ	2MΩ	

■ ENVIROMENTAL CHARACTERISTICS

Test item	Test condicions	Specifications
Thermal shock	-55 ~ 125 ° C (0,5 h) , 5 cycles	ΔR/R ≤ ±2% S.S ≤ ±1%
Humidity	-10~65°C(-80~98 RH) 10 cycles , 240 h	ΔR/R ≤ ±3% S.S ≤ ±1%
Shock	490 m/ s, 6ms 6 direction for 3 times each	ΔR/R ≤ ±1%R S.S ≤ ±2%
Vibration	Amplitude of 1,52mm or Acceleration of 98 m/s, 10~2000 hz, 3 direction.	
Load life	70°C, 0.5W, 1000 h	ΔR/R ≤ 3% S.S ≤ 3%
Low temp.operation	- 55° C 2 h	ΔR/R ≤ ±2% S.S ≤ ±1%
High temp.operation	125° C 250 h	ΔR/R ≤ ±2% S.S ≤ ±1%
Immersion seal	85° C 60 s	No leaks
Soldering heat	350° C 3 s	ΔR/R ≤ ±3%

Electron is a brand of

Believe Srl

Via Lago di Trasimeno, 21 I-36015 Schio VI Italy

Phone +39 0445 579035 Fax +39 0445 575708

Email: info@iievore.com

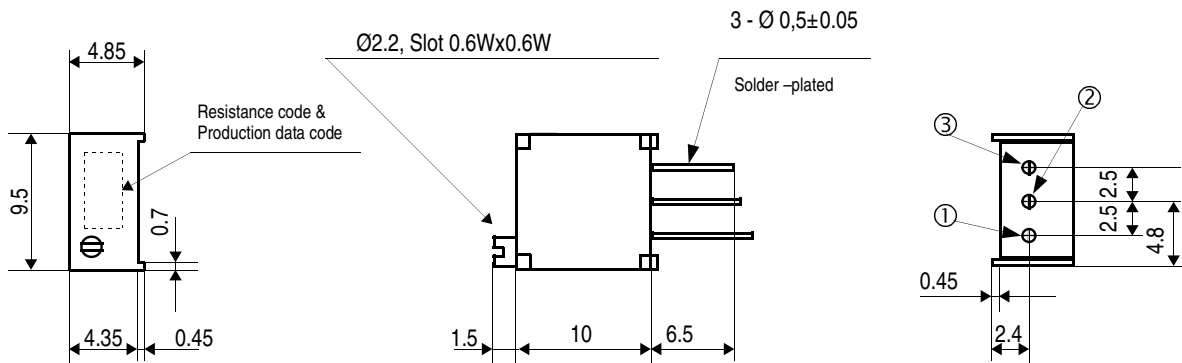
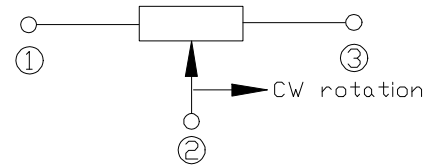
Specifications are subject to change without notice. Specifications in this data sheet are for reference .

MULTITURN 9 mm CERMET TRIMMERS

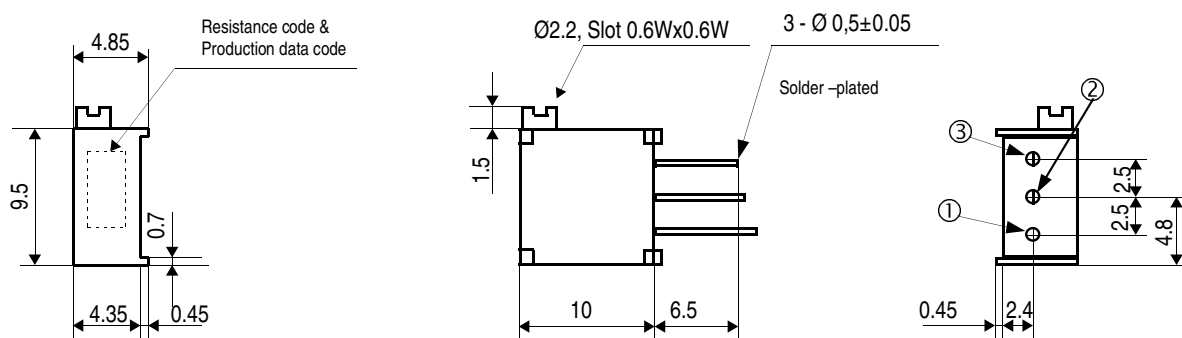
■ OUTLINE DIMENSIONS

3296W Top adjustment

Unless otherwise specified, tolerance:0,3



3296X Side adjustment



Electron is a brand of

Believe Srl

Via Lago di Trasimeno, 21 I-36015 Schio VI Italy

Phone +39 0445 579035 Fax +39 0445 575708

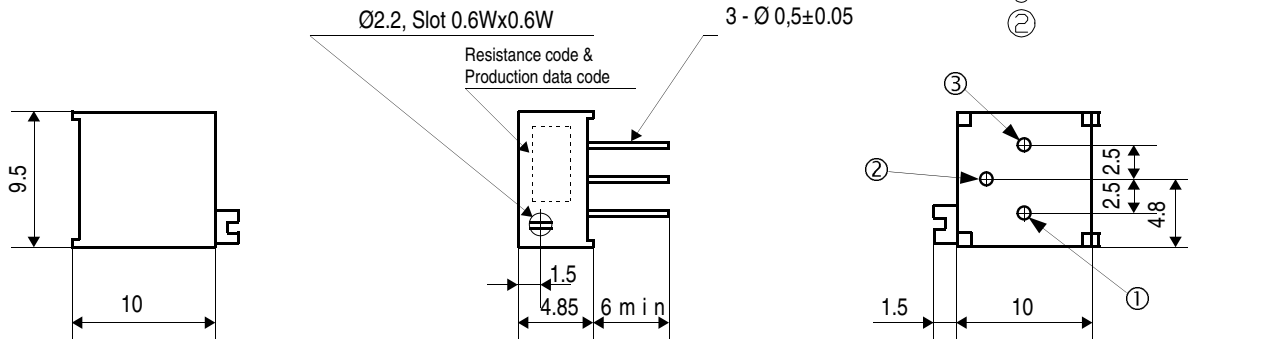
Email: info@lievore.com

Specifications are subject to change without notice. Specifications in this data sheet are for reference.

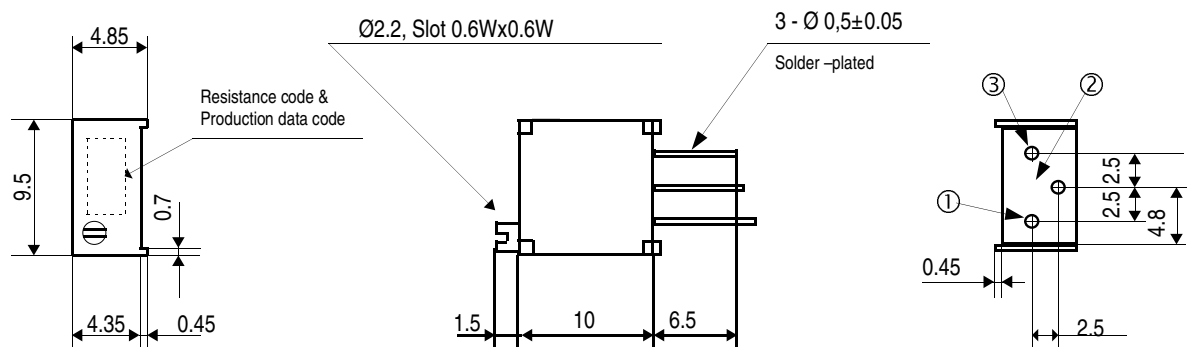
MULTITURN 9 mm CERMET TRIMMERS

OUTLINE DIMENSIONS

3296P Side adjustment



3296Y Top adjustment



PACKAGING SPECIFICATIONS

UNIT OF TUBE EACH 50 PCS
 UNIT OF BOX 1000 PCS
 UNIT OF CARTON 10.000 PCS

Electron is a brand of

Believe Srl

Via Lago di Trasimeno, 21 I-36015 Schio VI Italy
 Phone +39 0445 579035 Fax +39 0445 575708
 Email: info@lievore.com

Specifications are subject to change without notice. Specifications in this data sheet are for reference.

Electron
 3296
 Rev.03M03