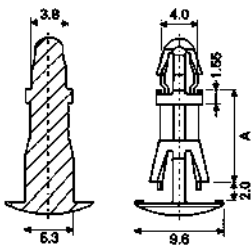


Circuit Board Support

Round



+

Type snap-lock
 Material Nylon 6/6 V2 / DMS 801
 Colour natural
 Unit mm
 Standard Pack 1.000 pcs

+

+

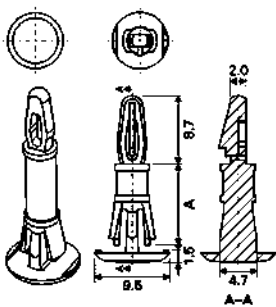
Top Hole 4.0 ± 0.05 mm
 Bottom Hole 5.4 ± 0.05 mm
 Panel Thickness 1.6 mm

+

Order No.	"A" ± 0.4
8G820V40578	6.0
8G820V40579	8.0
8G820V40580	10.0
8G820V40581	12.0
8G820V40582	14.0

Circuit Board Support

Flat



+

Type snap-lock
 Material Nylon 6/6 V2 / DMS 801
 Colour natural
 Unit mm
 Standard Pack 1.000 pcs

+

+

Top Hole 3.18 ± 0.05 mm
 Panel Thickness 1.57 mm
 Bottom Hole 4.75 ± 0.05 mm
 Panel Thickness 1.5 ~ 1.6 mm

+

Order No.	"A" ± 0.4
8G820V40618	6.4
8G820V40620	7.9
8G820V40621	9.5
8G820V40622	11.1
8G820V40623	12.7
8G820V40625	14.3
8G820V40626	15.9

Circuit Board Support

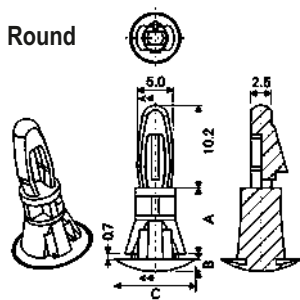
Round



Flat



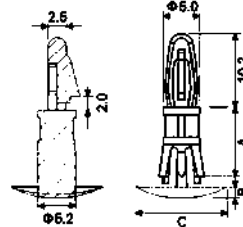
Type snap-lock
Material Nylon 6/6 V2 / DMS 801
Colour natural
Unit mm
Standard Pack 1.000 pcs



Top Hole 4.0 ± 0.08 mm
Panel Thickness 1.56 mm
Bottom Hole 6.0 ± 0.08 mm
Panel Thickness 0.8 ~ 1.2 mm
"B" = 1.5 mm **"C"** = 10.0 mm

Order No.	"A" ± 0.4
8G820V40893	4.8
8G820V40894	6.4
8G820V40895	9.5
8G820V40896	12.7
8G820V40897	15.9
8G820V40898	19.1

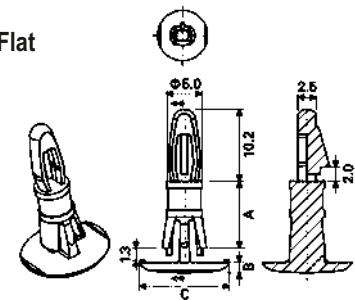
Round



Top Hole 4.0 ± 0.08 mm
Panel Thickness 1.56 mm
Bottom Hole 5.4 ± 0.08 mm
Panel Thickness 1.2 ~ 2.0 mm
"B" = 1.5 mm **"C"** = 12.7 mm

Order No.	"A" ± 0.4
8G820V40889	6.4
8G820V40890	9.5
8G820V40891	12.7
8G820V40892	15.9

Flat



Top Hole 4.0 ± 0.08 mm
Panel Thickness 1.57 mm
Bottom Hole 5.4 ± 0.08 mm
Panel Thickness 1.5 ~ 1.65 mm
"B" = 1.8 mm **"C"** = 12.7 mm

Order No.	"A" ± 0.4
8G820V40984	6.4
8G820V40985	9.5
8G820V40986	12.7
8G820V40987	15.9

Top Hole 4.0 ± 0.08 mm
Panel Thickness 1.57 mm
Bottom Hole 6.35 ± 0.08 mm
Panel Thickness 1.5 ~ 1.65 mm
"B" = 1.8 mm **"C"** = 12.7 mm

Order No.	"A" ± 0.4
8G820V40988	6.4
8G820V40989	9.5
8G820V40990	12.7
8G820V40991	15.9