

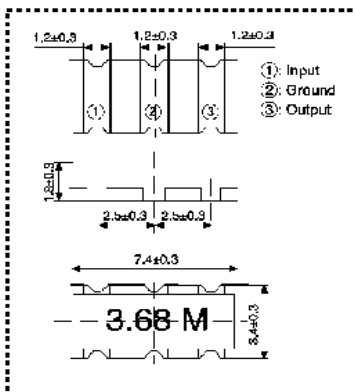
# IR ZTTCC MG



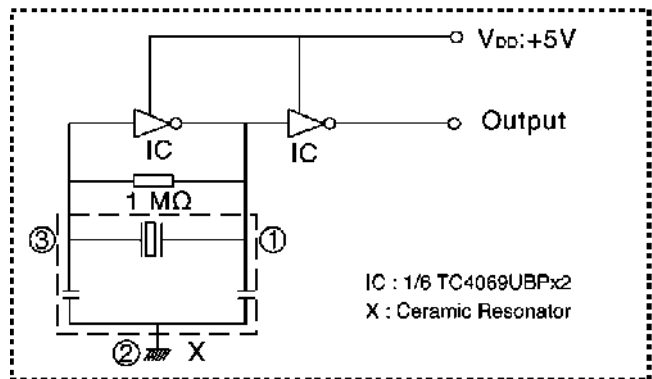
## Ceramic Resonator

Item	Specification
Oscillation Frequency	1,80 ~ 8,00 MHz
Frequency Accuracy	±0,5%
Temperature Coefficient of Oscillation Frequency max	±0,3% (Oscillation Frequency drift -20°C ~+80°C)
Aging Rate max for ten years	±0,3%
Rating Voltage max	6 VDC <span style="float: right;">15Vp-p</span>
Withstanding Voltage UR	100 DC, 1 min

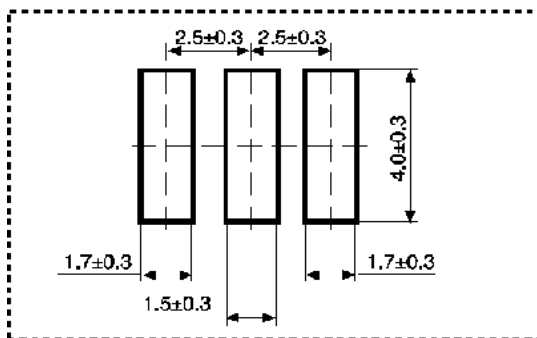
### Dimension (Unit: mm)



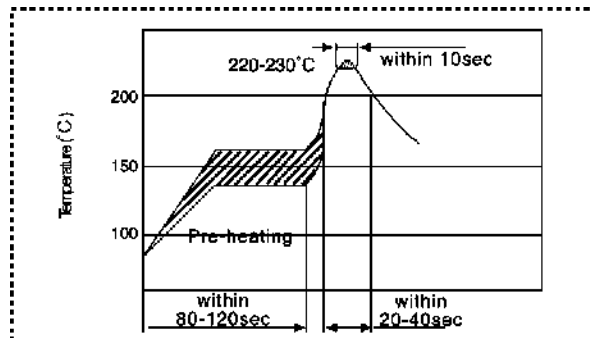
### Test Circuit



### Recommended Land Pattern



### Recommended Reflow Soldering



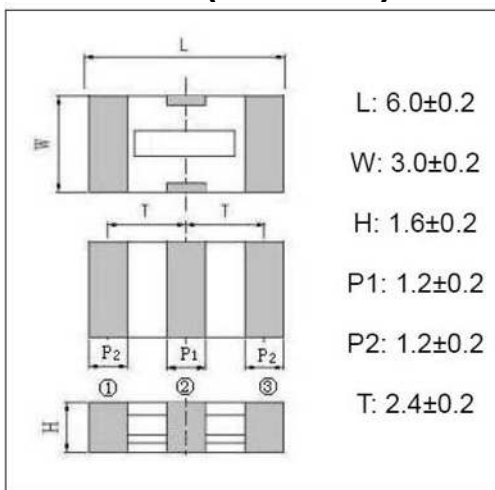
# IR ZTTCP



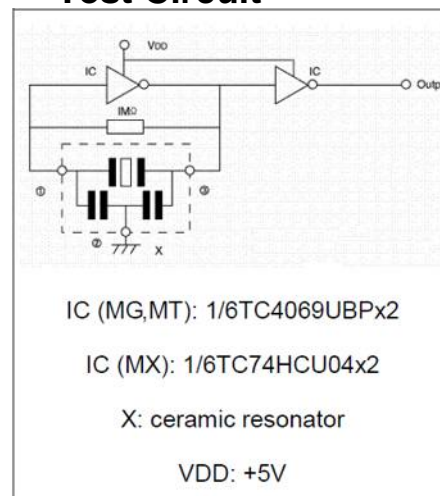
## Ceramic Resonator

Item	Specification
Oscillation Frequency	2,00 ~ 12,00 MHz
Frequency Accuracy	±0,5%
Temperature Coefficient of Oscillation Frequency max	±0,2% (Oscillation Frequency drift -20°C ~+80°C)
Aging Rate max for ten years	±0,1%
Rating Voltage max	6 VDC <span style="float: right;">15Vp-p</span>
Withstanding Voltage UR	100 DC, 1 min

### Dimension (Unit: mm)



### Test Circuit



### Reflow Soldering Condition

